

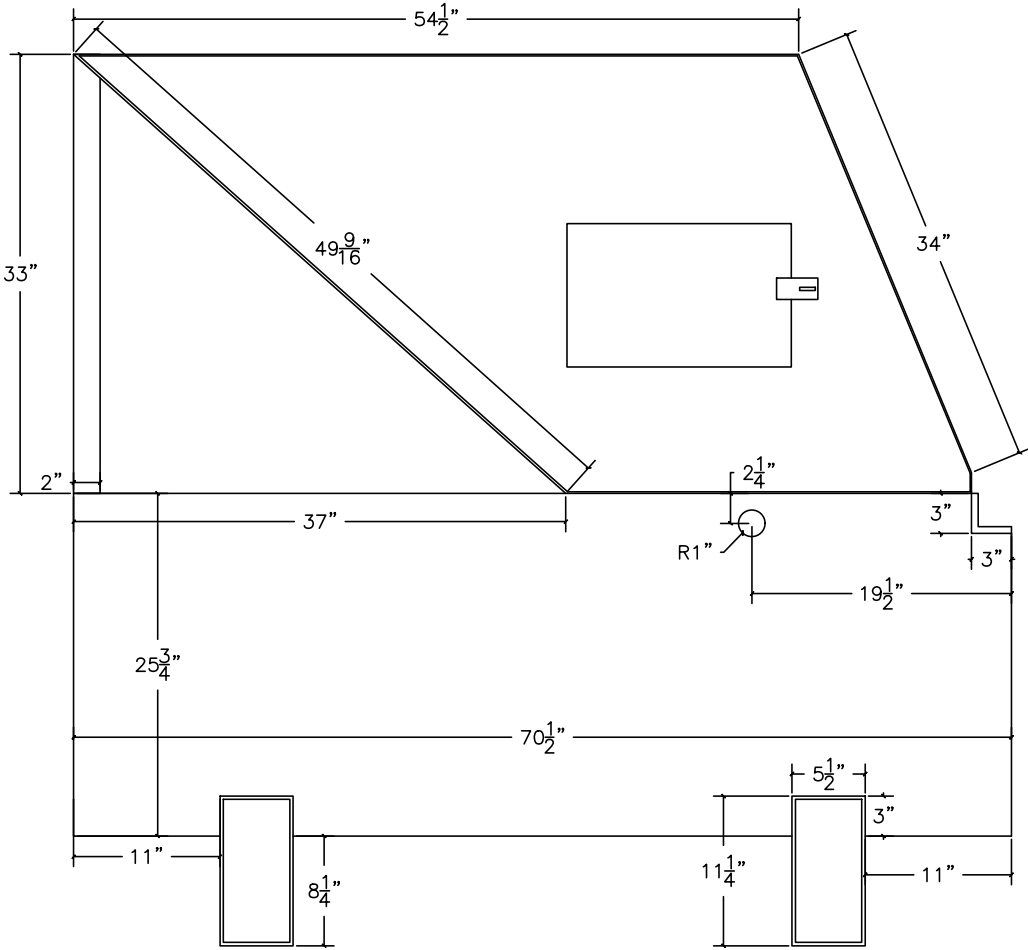
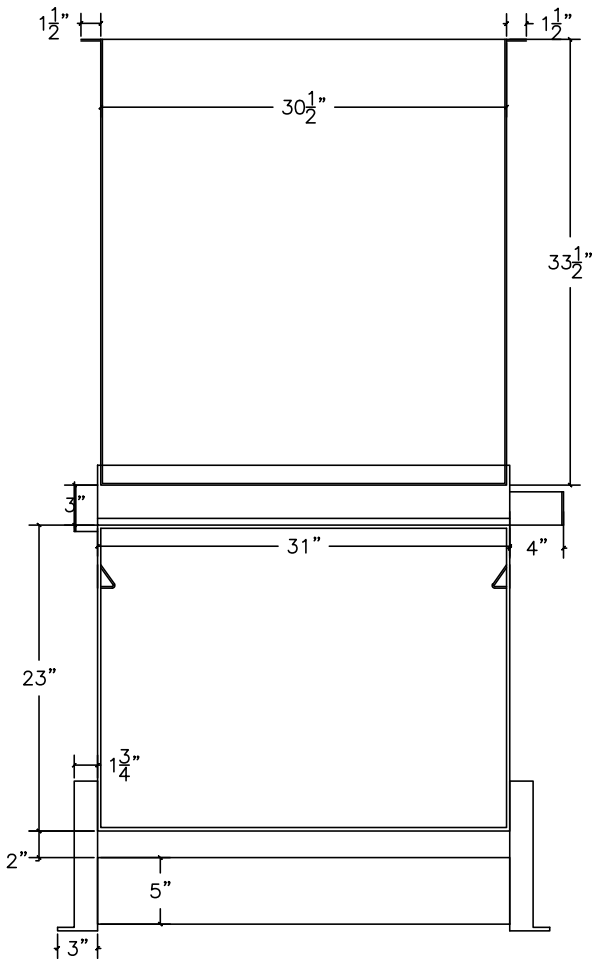
MC50-5C COMPACTOR CONFIGURATION

PROJECT: _____

SOLENOID VALVE PLACEMENT: _____

DATE REQUIRED: _____

SPECIAL INSTRUCTIONS: _____



SIDE VIEW