

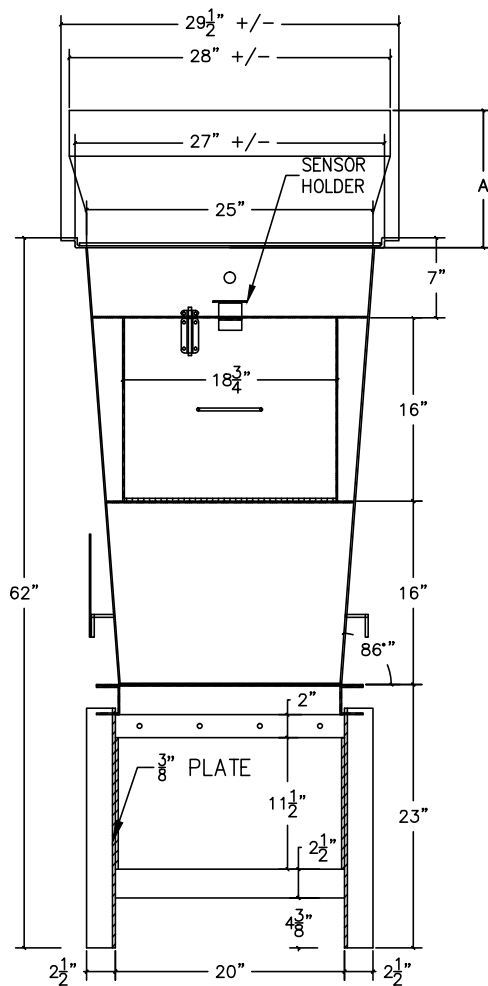
# MC3000-MINI COMPACTOR CONFIGURATION

PROJECT: \_\_\_\_\_

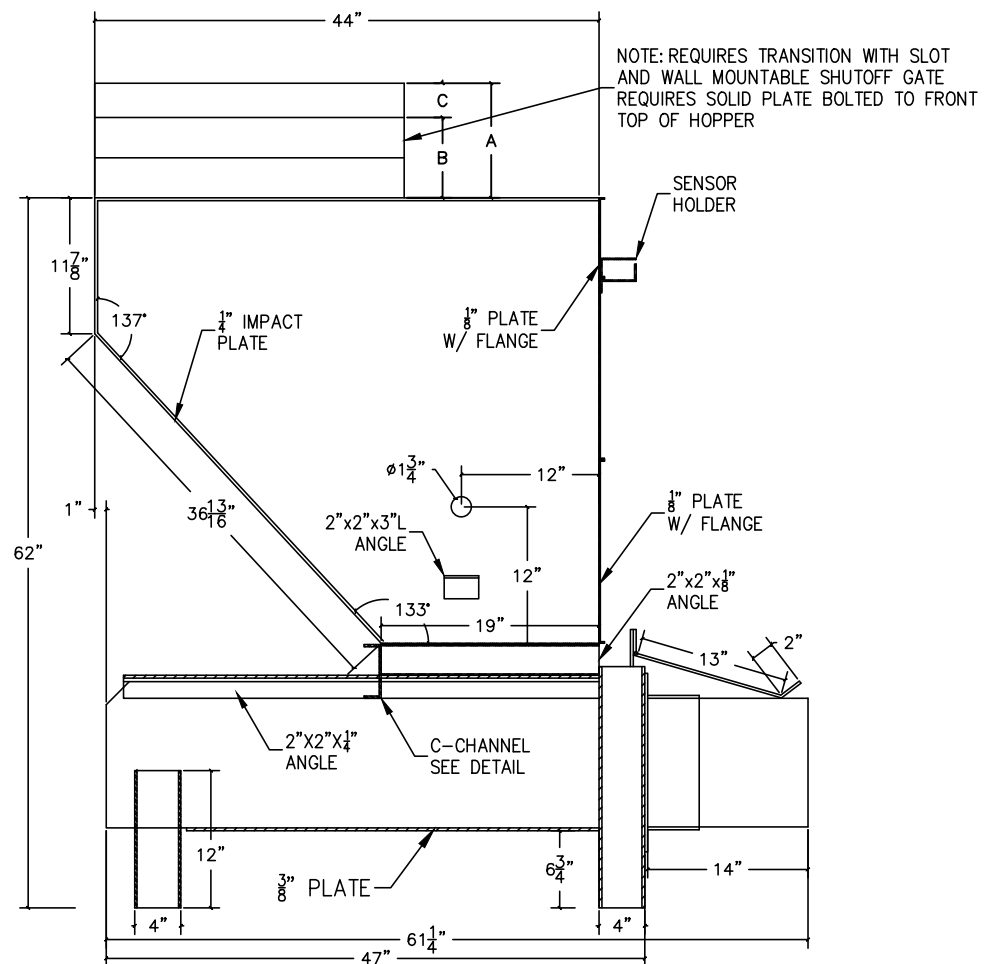
SOLENOID VALVE PLACEMENT: \_\_\_\_\_

DATE REQUIRED: \_\_\_\_\_

SPECIAL INSTRUCTIONS: \_\_\_\_\_



**FRONT VIEW**



**SIDE VIEW**