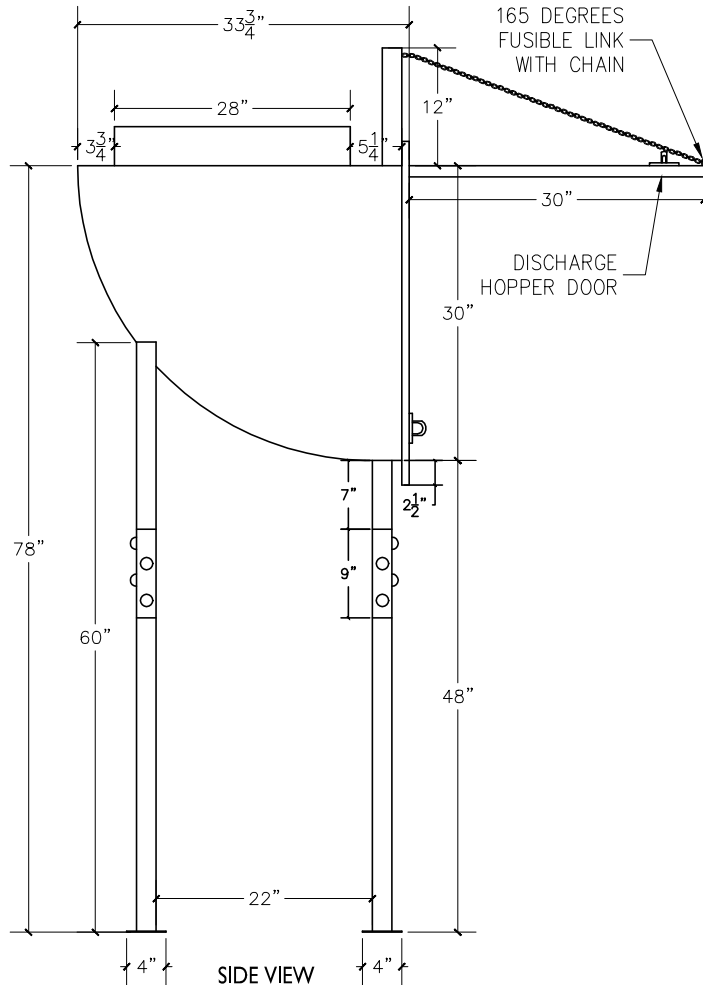
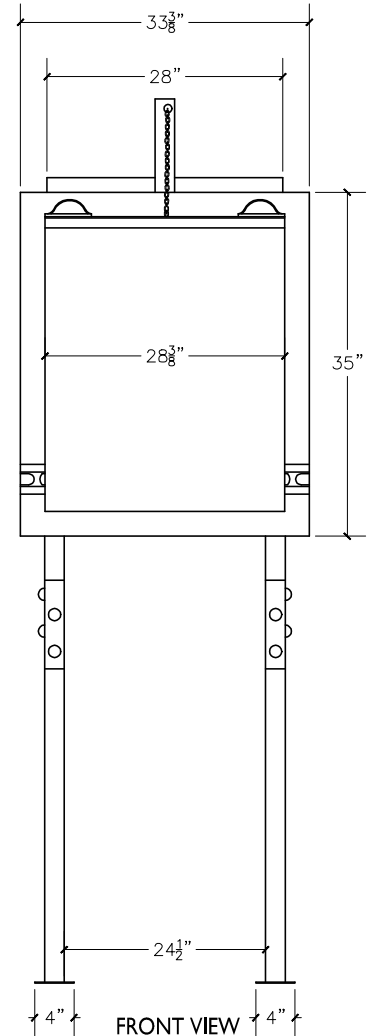


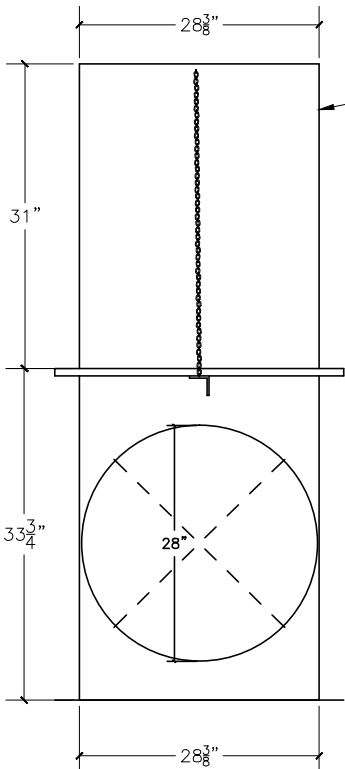
REAR VIEW



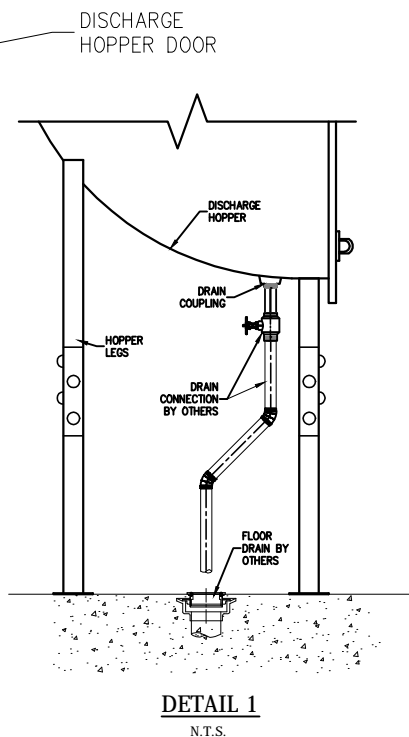
SIDE VIEW



FRONT VIEW



TOP VIEW



DETAIL 1
N.T.S.

Linen Discharge Hopper specifications:

Hopper Type Discharge Assembly is a self-closing top hinged, Classified 'UL' B labeled door held in the open position with a 'UL' approve 165 Fahrenheit fusible link. Supporting steel angles are provided to complete the installation.

956 Brush Hollow Rd.
Westbury, NY 11590
phone: (718) 472-5700
fax: (718) 472-5813
website: www.allcitymetal.com
e-mail: info@allcitymetal.com

ALL-CITY METAL
SHEET METAL FABRICATORS

LINEN DISCHARGE HOPPER