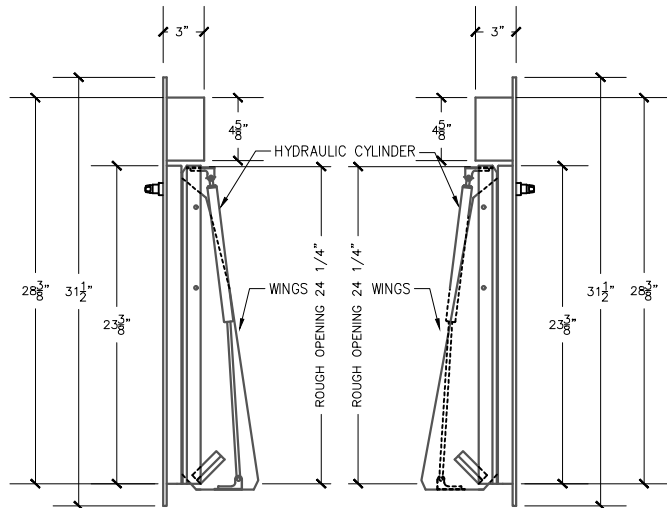


FRONT VIEW

24"X24" BOTTOM HINGED
 A/D U.L. APPROVED
 W/ RUBBER BAFFLE
 (NTS)

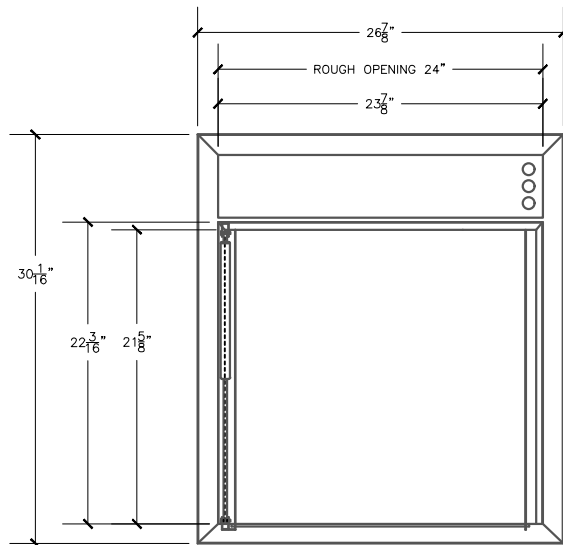


RIGHT VIEW

RUBBER BAFFLE NOT SHOWN

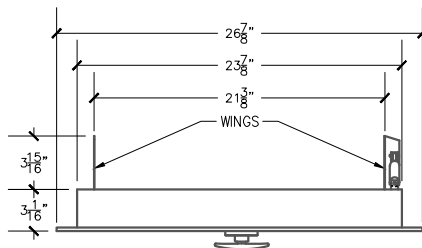
LEFT VIEW

RUBBER BAFFLE NOT SHOWN



REAR VIEW

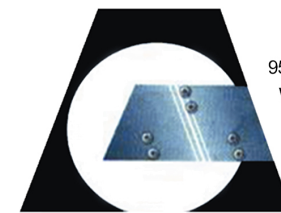
RUBBER BAFFLE NOT SHOWN



TOP VIEW

Interlock Smart Door for Trash chute specifications:

Doors are fabricated with type 304 Stainless Steel, Stainless Steel hinges, with a self closing, self latching quiet door closing function. Classified 'UL' Class B labeled: 1-1/2 hour fire rated with 30-minute temperature rise of 250 degrees Fahrenheit and a frame suitable for enclosing multiple type chase construction. Doors are provided with key locking devices at each intake door location. Door trim is embossed "**RUBBISH**".



956 Brush Hollow Rd.
 Westbury, NY 11590
 phone: (718) 472-5700
 fax: (718) 472-5813
 website: www.allcitymetal.com
 e-mail: info@allcitymetal.com

ALL-CITY METALTM
 SHEET METAL FABRICATORS

INTERLOCK SMART DOOR FOR TRASH CHUTE
 MODEL # ISD48B 24"X24" TD/BH 1-1/2" TRIM