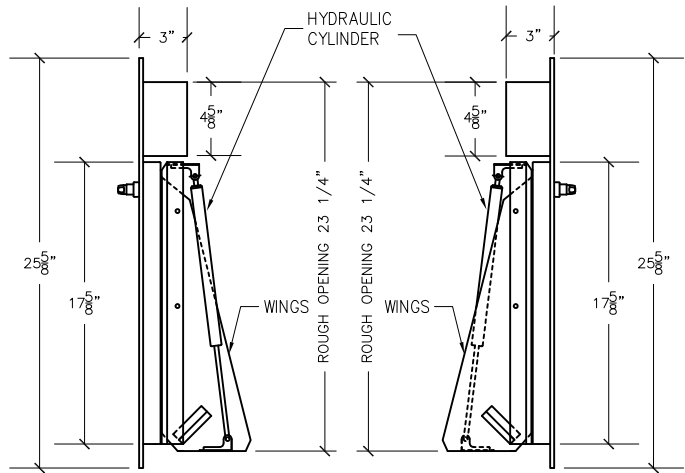
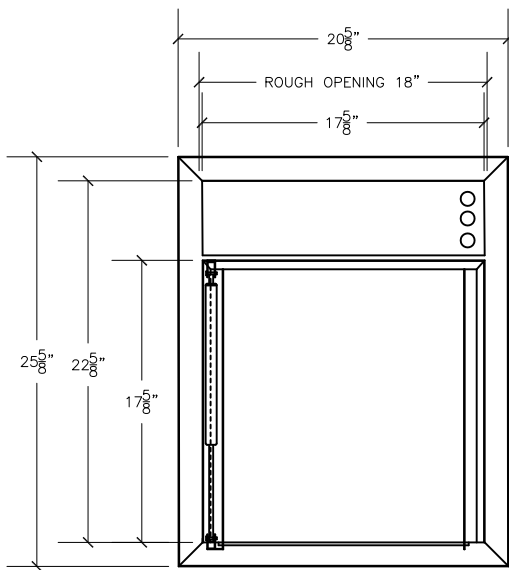


**FRONT VIEW**  
 18"X18" BOTTOM HINGED  
 A/D U.L. APPROVED  
 W/ RUBBER BAFFLE  
 (NTS)

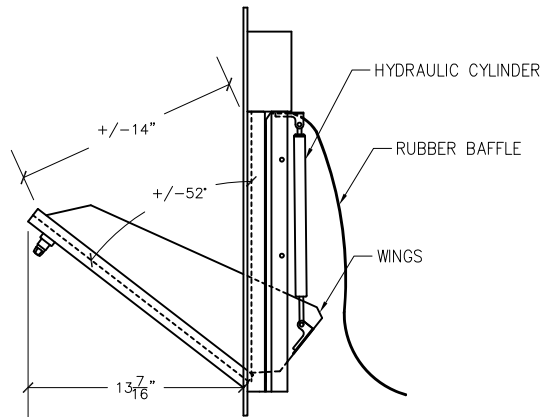


**RIGHT VIEW**  
 RUBBER BAFFLE NOT SHOWN

**LEFT VIEW**  
 RUBBER BAFFLE NOT SHOWN

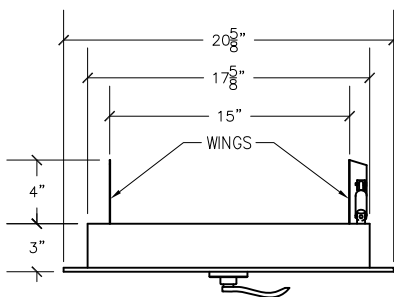


**REAR VIEW**  
 RUBBER BAFFLE NOT SHOWN



**Interlock Smart Door for Trash chute specifications:**

Doors are fabricated with type 304 Stainless Steel, Stainless Steel hinges, with a self closing, self latching quiet door closing function. Classified 'UL' Class B labeled: 1-1/2 hour fire rated with 30-minute temperature rise of 250 degrees Fahrenheit and a frame suitable for enclosing multiple type chase construction. Doors are provided with key locking devices at each intake door location.



NOTE:  
 ROUGH OPENING REQUIRED: 18"x23<sup>1</sup>/<sub>4</sub>"



956 Brush Hollow Rd.  
 Westbury, NY 11590  
 phone: (718) 472-5700  
 fax: (718) 472-5813  
 website: www.allcitymetal.com  
 e-mail: info@allcitymetal.com

**ALL-CITY METAL**  
 SHEET METAL FABRICATORS

**TWIN SORTER  
 INTER-LOCK SMART DOOR**  
 MODEL # ISD40B-TWIN-SRT-ADA 18"X18"  
 TD/BH 1-1/2" TRIM