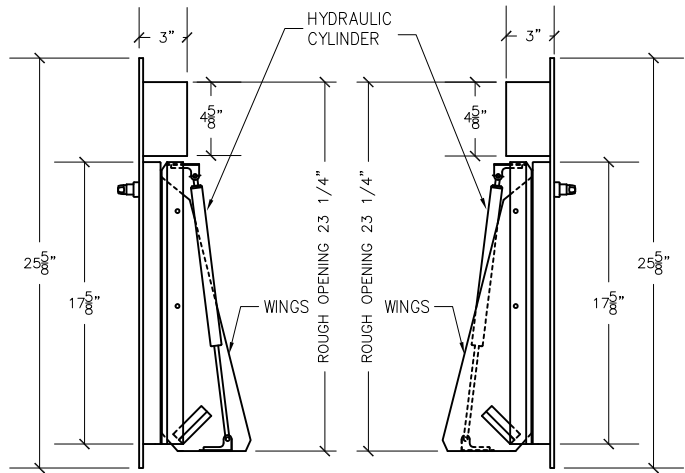


**FRONT VIEW**

18"X18" BOTTOM HINGED  
A/D U.L. APPROVED  
W/ RUBBER BAFFLE  
(NTS)

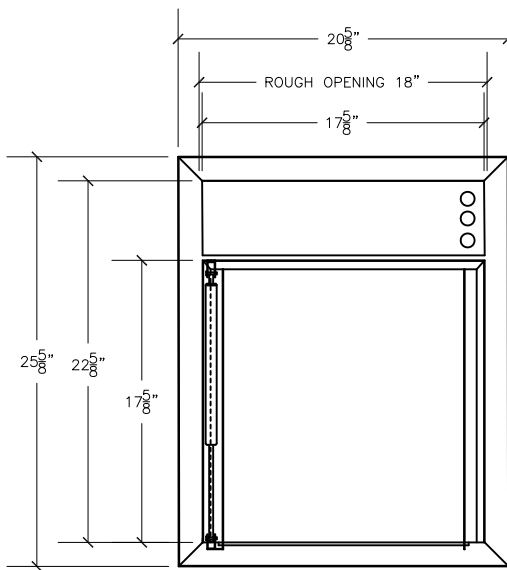


**RIGHT VIEW**

RUBBER BAFFLE NOT SHOWN

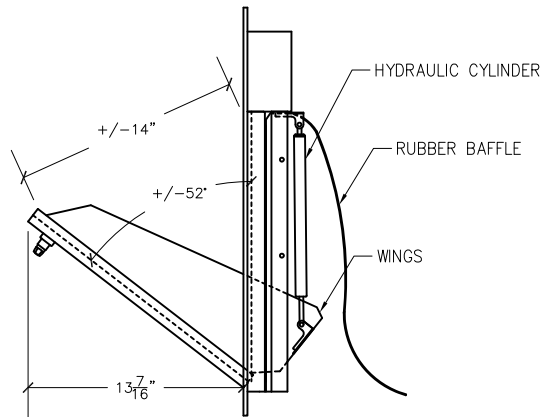
**LEFT VIEW**

RUBBER BAFFLE NOT SHOWN



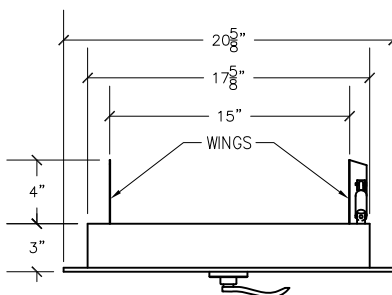
**REAR VIEW**

RUBBER BAFFLE NOT SHOWN



**DOOR AT OPENED POSITION**

WITH RUBBER BAFFLE



**TOP VIEW**

NOTE:  
ROUGH OPENING REQUIRED: 18"x23<sup>1</sup>/<sub>4</sub>"

**Interlock Smart Door for Trash chute specifications:**

Doors are fabricated with type 304 Stainless Steel, Stainless Steel hinges, with a self closing, self latching quiet door closing function. Classified 'UL' Class B labeled: 1-1/2 hour fire rated with 30-minute temperature rise of 250 degrees Fahrenheit and a frame suitable for enclosing multiple type chase construction. Doors are provided with key locking devices at each intake door location.



956 Brush Hollow Rd.  
Westbury, NY 11590  
phone: (718) 472-5700  
fax: (718) 472-5813  
website: www.allcitymetal.com  
e-mail: info@allcitymetal.com

**ALL-CITY METAL**  
SHEET METAL FABRICATORS

**TRIPLE SORTER  
INTER-LOCK SMART DOOR**  
MODEL # ISD40B-SRT-ADA 18"X18"  
TD/BH 1-1/2" TRIM