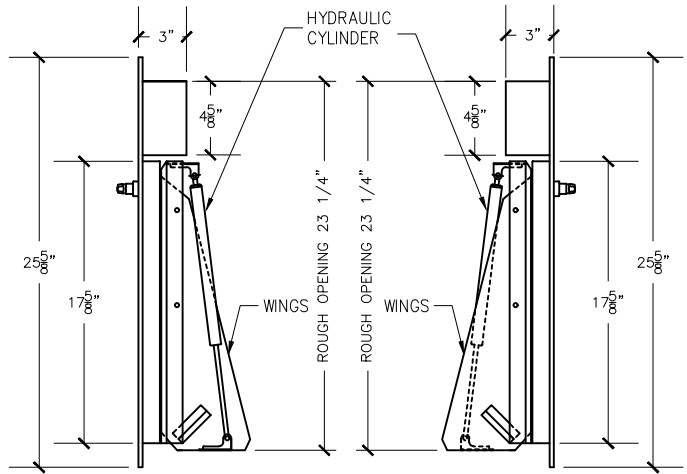
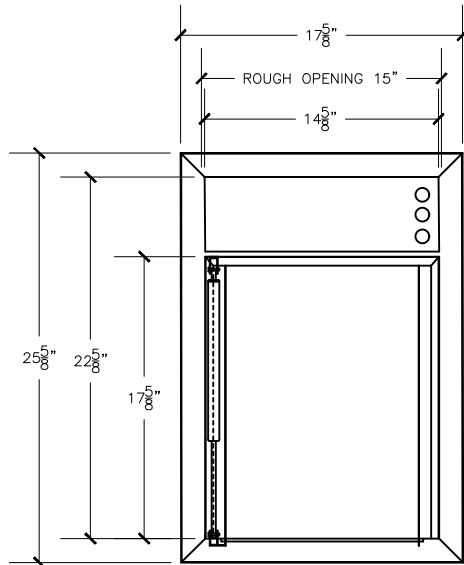


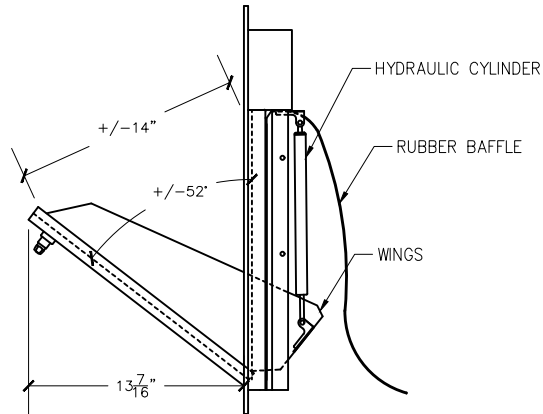
15"X18" BOTTOM HINGED
A/D U.L. APPROVED
W/ RUBBER BAFFLE
(NTS)



RUBBER BAFFLE NOT SHOWN RUBBER BAFFLE NOT SHOWN

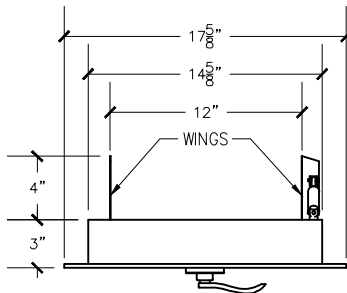


RUBBER BAFFLE NOT SHOWN



Interlock Smart Door for Trash chute specifications:

Doors are fabricated with type 304 Stainless Steel, Stainless Steel hinges, with a self closing, self latching quiet door closing function. Classified 'UL' Class B labeled: 1-1/2 hour fire rated with 30-minute temperature rise of 250 degrees Fahrenheit and a frame suitable for enclosing multiple type chase construction. Doors are provided with key locking devices at each intake door location.



NOTE:
ROUGH OPENING REQUIRED: 15"X23 1/4"



956 Brush Hollow Rd.
Westbury, NY 11590
phone: (718) 472-5700
fax: (718) 472-5813
website: www.allcitymetal.com
e-mail: info@allcitymetal.com

ALL-CITY METAL
SHEET METAL FABRICATORS

**TWIN SORTER
INTER-LOCK SMART DOOR**
MODEL # ISD35B-TWIN_SRT-ADA 15"X18"
TD/BH 1-1/2" TRIM