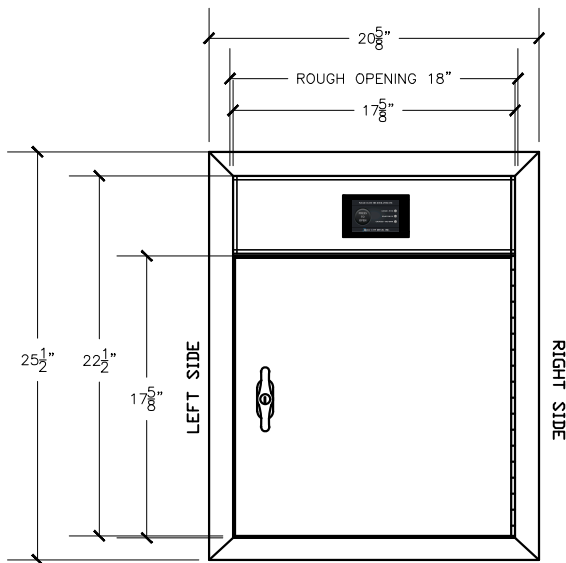
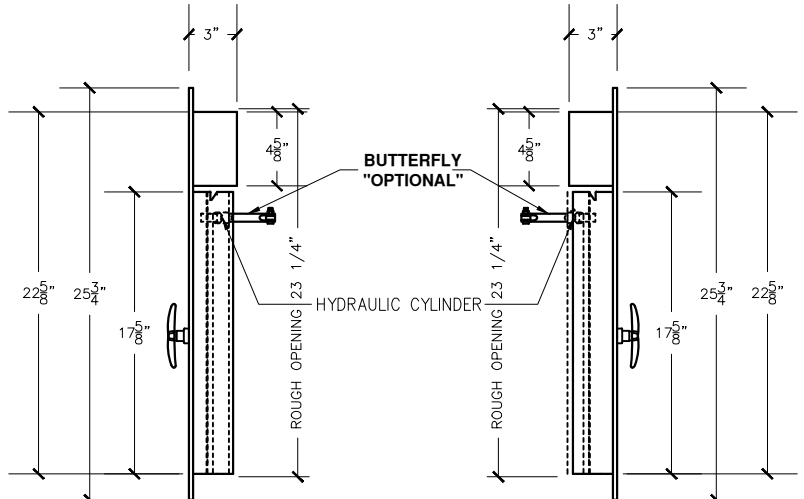


Z:\5 Trash Chutes\Detail Specifications\DOOR SPECS AND CAD FILES\ISD25R-180D 18x18 LD--RH\ISD25R-180 18x18 LD--RH 1.5 TRIM.dwg



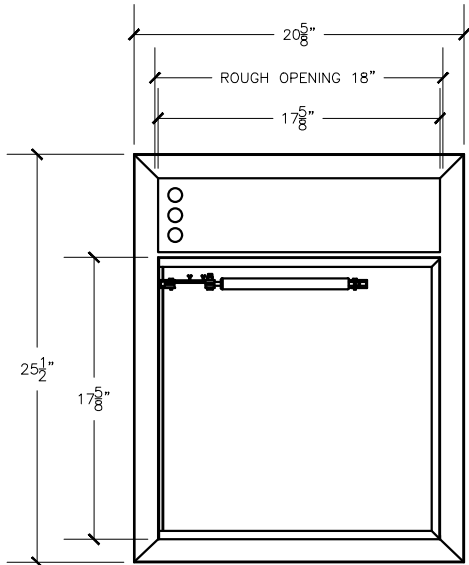
**FRONT VIEW**

18"X18" RIGHT HINGED  
A/D U.L. APPROVED  
(NTS)

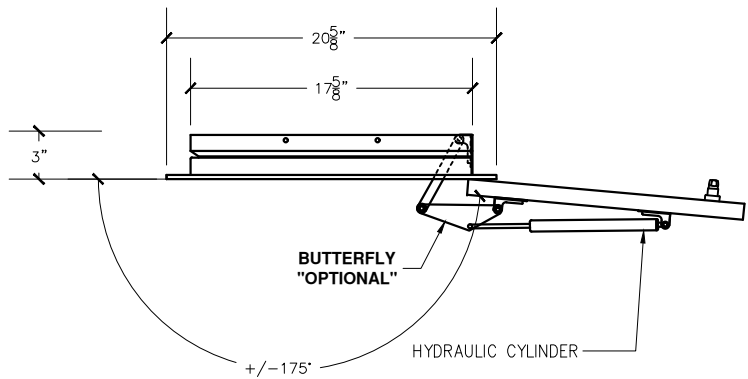


**RIGHT VIEW**

**LEFT VIEW**

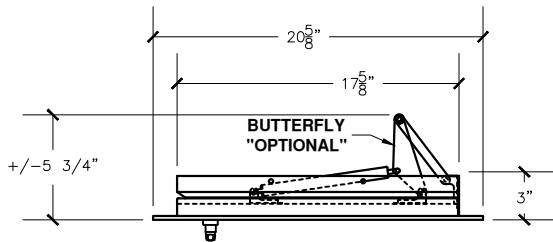


**REAR VIEW**



**LINEN DOOR AT OPENED POSITION**

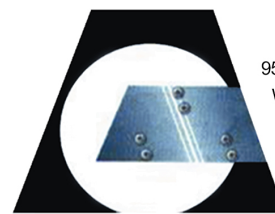
**Interlock Smart Door for Linen chute specifications:**  
Doors are fabricated with type 304 Stainless Steel, Stainless Steel hinges, with a self closing, self latching quiet door closing function. Classified 'UL' Class B labeled: 1-1/2 hour fire rated with 30-minute temperature rise of 250 degrees Fahrenheit and a frame suitable for enclosing multiple type chase construction. Doors are provided with key locking devices at each intake door location.



**TOP VIEW**

**NOTE:**

Rough opening required 18"x23 1/2"



956 Brush Hollow Rd.  
Westbury, NY 11590  
phone: (718) 472-5700  
fax: (718) 472-5813  
website: www.allcitymetal.com  
e-mail: info@allcitymetal.com

**ALL-CITY METAL**  
SHEET METAL FABRICATORS

**INTERLOCK SMART DOOR FOR  
LINEN CHUTE**

MODEL # ISD25R-180 18"X18" LD/RH I-1/2" TRIM