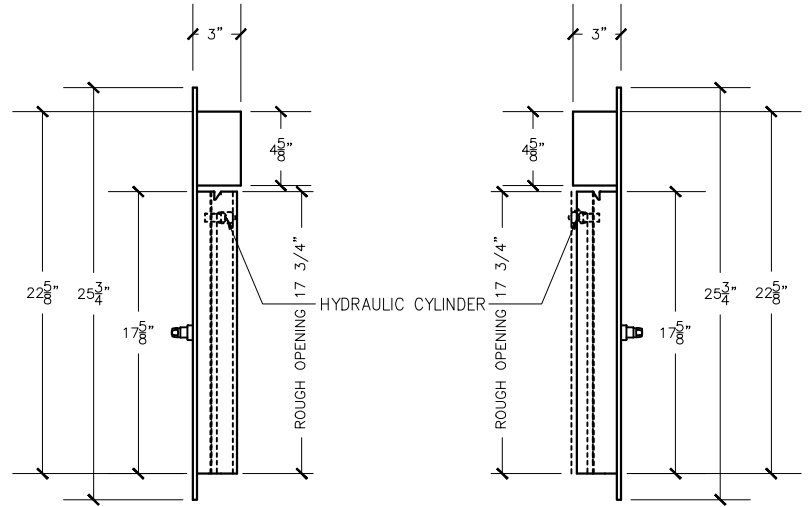


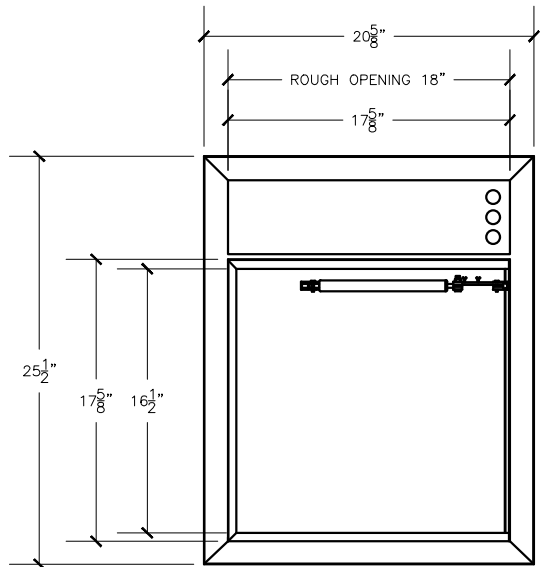
FRONT VIEW

18"x18" LEFT HINGED
A/D U.L. APPROVED
(NTS)

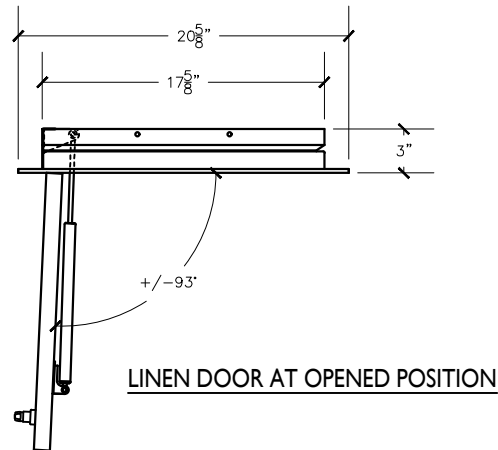


RIGHT VIEW

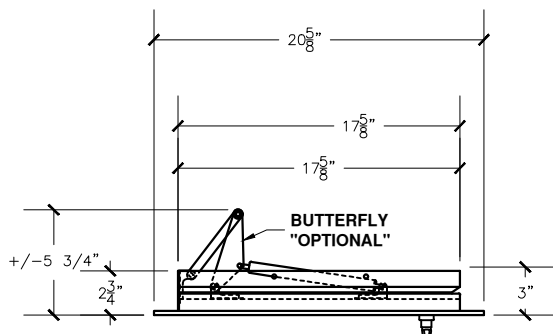
LEFT VIEW



REAR VIEW



Interlock Smart Door for Linen chute specifications:
Doors are fabricated with type 304 Stainless Steel, Stainless Steel hinges, with a self closing, self latching quiet door closing function. Classified 'UL' Class B labeled: 1-1/2 hour fire rated with 30-minute temperature rise of 250 degrees Fahrenheit and a frame suitable for enclosing multiple type chase construction. Doors are provided with key locking devices at each intake door location.



TOP VIEW

NOTE:

Rough opening required 18"x23³/₄"

956 Brush Hollow Rd.
Westbury, NY 11590
phone: (718) 472-5700
fax: (718) 472-5813
website: www.allcitymetal.com
e-mail: info@allcitymetal.com

ALL-CITY METAL
SHEET METAL FABRICATORS

INTERLOCK SMART DOOR FOR LINEN CHUTE

MODEL # ISD25L-90 18"x18" LD/LH I-1/2" TRIM