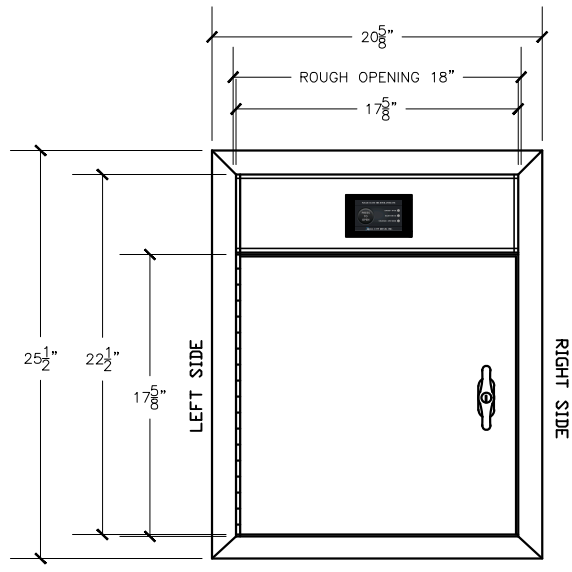
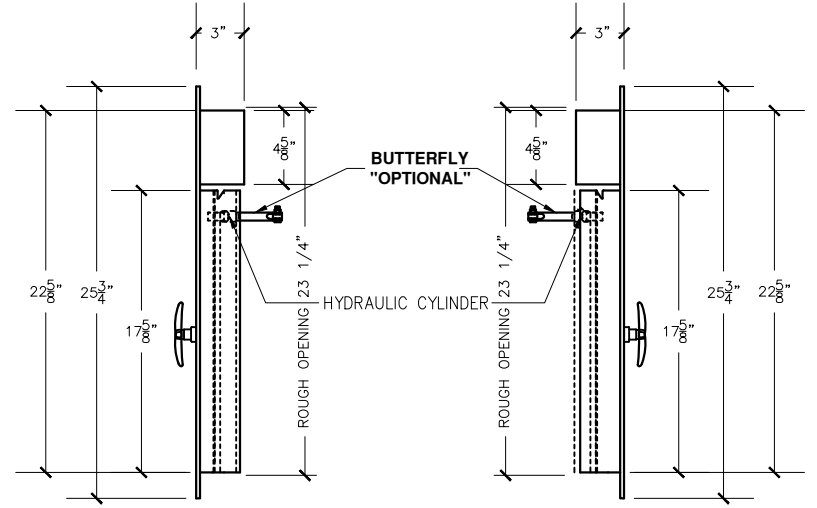


Z:\5 Trash Chutes\Detail Specifications\DOOR SPECS AND CAD FILES\SD25L-1800 18x18 LD-LH\SD25L-180 18x18 LD-LH 1.5 TRIM.dwg



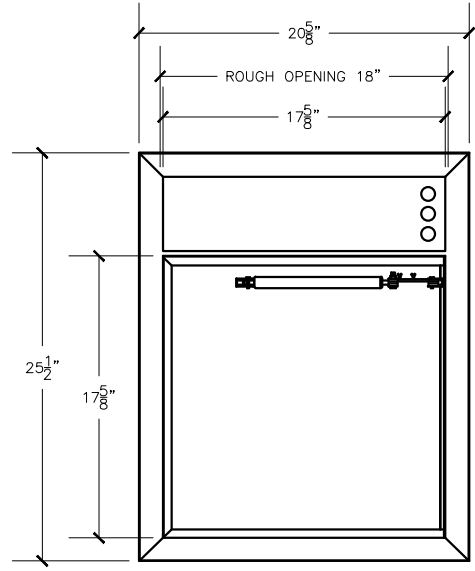
FRONT VIEW

18"x18" LEFT HINGED
A/D U.L. APPROVED
(NTS)

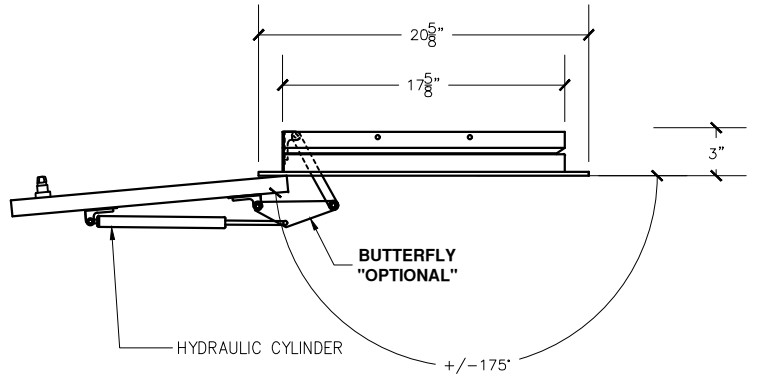


RIGHT VIEW

LEFT VIEW

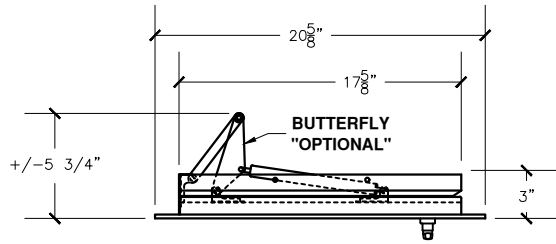


REAR VIEW



LINEN DOOR AT OPENED POSITION

Interlock Smart Door for Linen chute specifications:
Doors are fabricated with type 304 Stainless Steel, Stainless Steel hinges, with a self closing, self latching quiet door closing function. Classified 'UL' Class B labeled: 1-1/2 hour fire rated with 30-minute temperature rise of 250 degrees Fahrenheit and a frame suitable for enclosing multiple type chase construction. Doors are provided with key locking devices at each intake door location.



TOP VIEW

NOTE:
Rough opening required 18"x23 1/4"



956 Brush Hollow Rd.
Westbury, NY 11590
phone: (718) 472-5700
fax: (718) 472-5813
website: www.allcitymetal.com
e-mail: info@allcitymetal.com

ALL-CITY METALTM
SHEET METAL FABRICATORS

**INTERLOCK SMART DOOR FOR
LINEN CHUTE**

MODEL # ISD25L-180 18"x18" LD/LH 1-1/2" TRIM