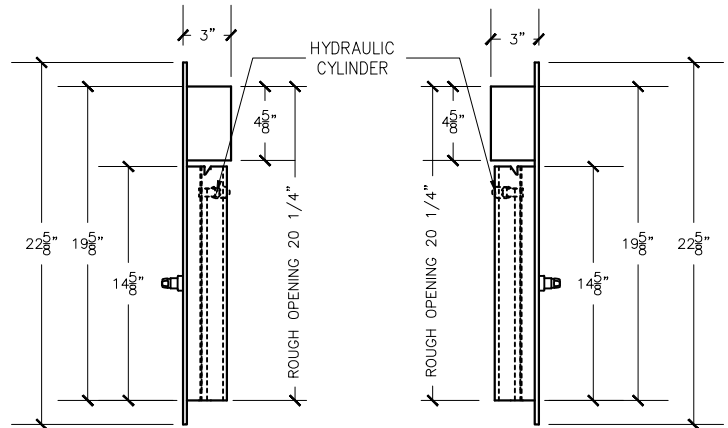
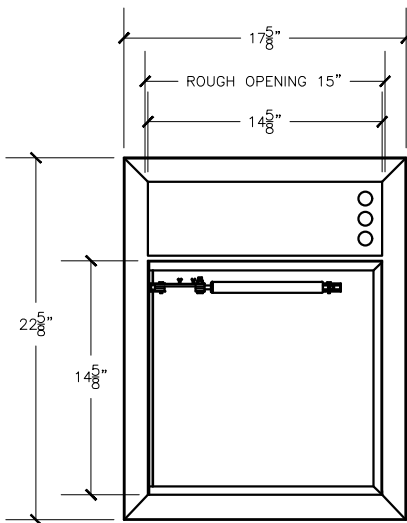


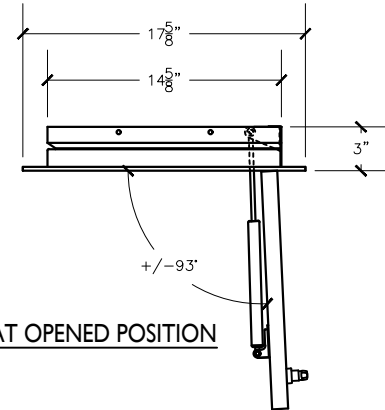
FRONT VIEW
 15"X15" RIGHT HINGED
 A/D U.L. APPROVED
 (NTS)



RIGHT VIEW **LEFT VIEW**

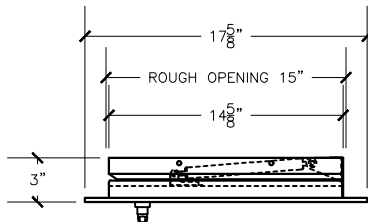


REAR VIEW



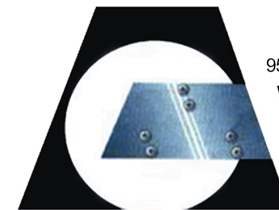
Access door specifications:

Doors are fabricated with type 304 Stainless Steel, Stainless Steel hinges, with a self closing, self latching quiet door closing function. Classified 'UL' Class B labeled: 1-1/2 hour fire rated with 30-minute temperature rise of 250 degrees Fahrenheit and a frame suitable for enclosing multiple type chase construction.



TOP VIEW

NOTE:
 ROUGH OPENING: 15"x20 1/4"



956 Brush Hollow Rd.
 Westbury, NY 11590
 phone: (718) 472-5700
 fax: (718) 472-5813
 website: www.allcitymetal.com
 e-mail: info@allcitymetal.com

ALL-CITY METALTM
 SHEET METAL FABRICATORS

**INTERLOCK SMART DOOR FOR
 ACCESS DOOR**

MODEL # ISD15ADR 15"X15" RH I-1/2" TRIM