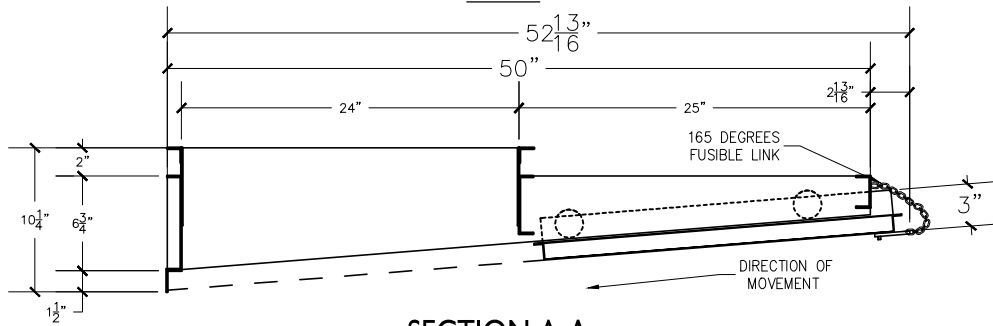
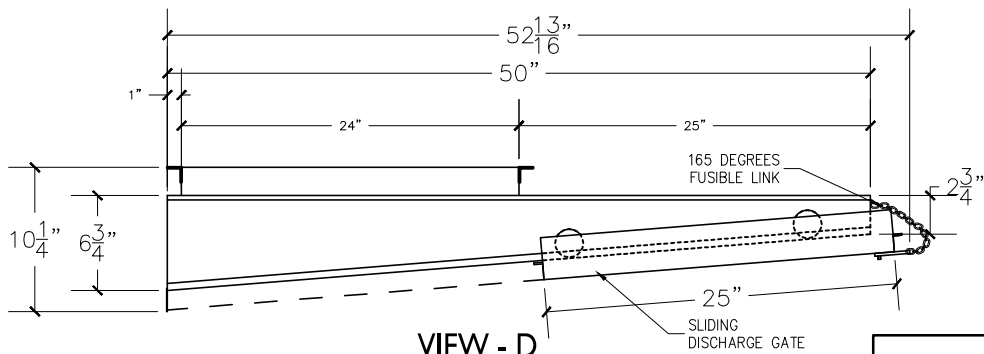


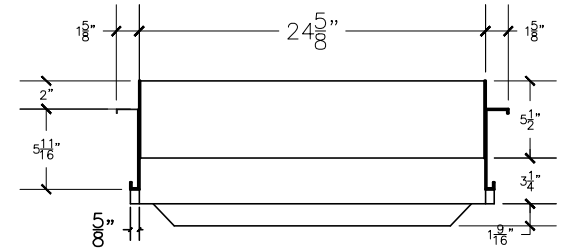
PLAN



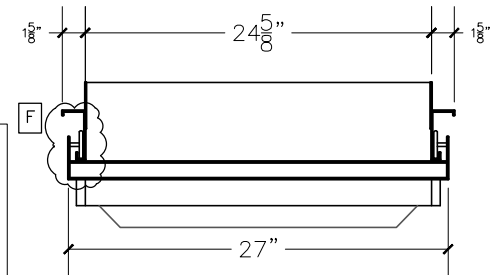
SECTION A-A



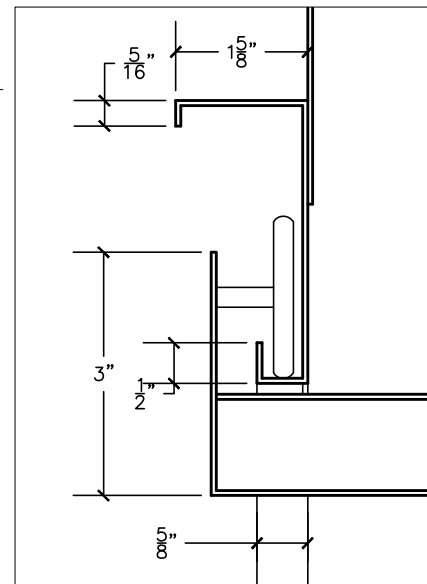
VIEW - D



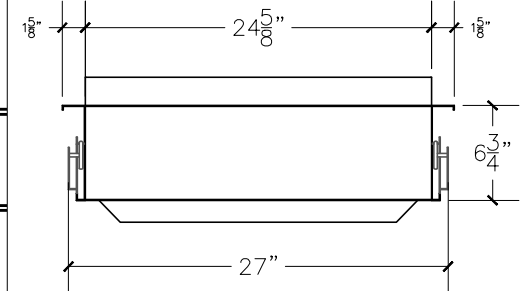
SECTION B-B



SECTION C-C



DETAIL - F



VIEW - E

ROLLING FIRE DISCHARGE GATE



956 Brush Hollow Rd.
Westbury, NY 11590
phone: (718) 472-5700
fax: (718) 472-5813
website: www.allcitymetal.com
e-mail: info@allcitymetal.com

ALL-CITY METAL
SHEET METAL FABRICATORS