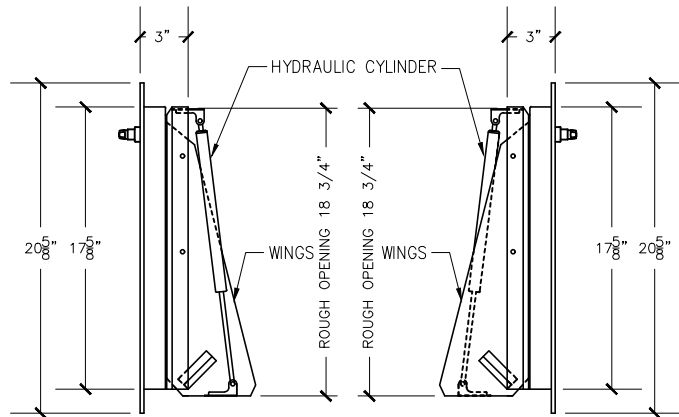


FRONT VIEW

15"X18" BOTTOM HINGED
A/D U.L. APPROVED
W/ RUBBER BAFFLE
(NTS)

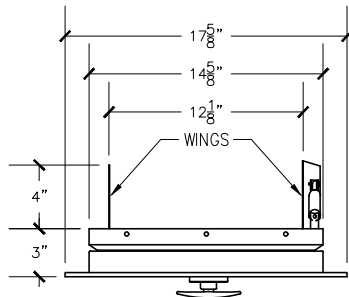


RIGHT VIEW

RUBBER BAFFLE NOT SHOWN

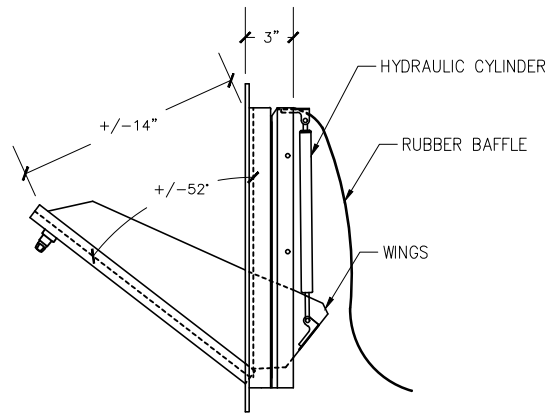
LEFT VIEW

RUBBER BAFFLE NOT SHOWN



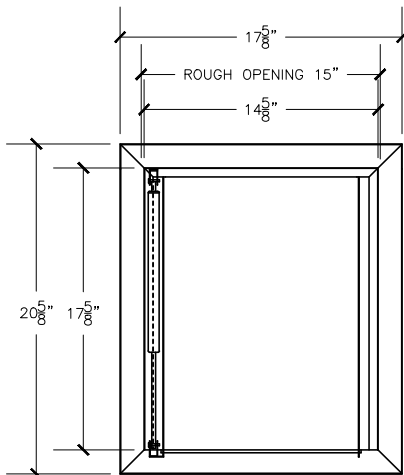
TOP VIEW

RUBBER BAFFLE NOT SHOWN



RECYCLE DOOR AT OPENED POSITION

WITH RUBBER BAFFLE



REAR VIEW

RUBBER BAFFLE NOT SHOWN

Trash chute door specifications:

Doors are fabricated with type 304 Stainless Steel, Stainless Steel hinges, with a self closing, self latching quiet door closing function. Classified 'UL' Class B labeled: 1-1/2 hour fire rated with 30-minute temperature rise of 250 degrees Fahrenheit and a frame suitable for enclosing multiple type chase construction. Doors are provided with key locking devices at each intake door location. Door trim is embossed "**RECYCLE**".

NOTE:

Rough opening required 15"X18 3/4"

956 Brush Hollow Rd.
Westbury, NY 11590
phone: (718) 472-5700
fax: (718) 472-5813
website: www.allcitymetal.com
e-mail: info@allcitymetal.com

ALL-CITY METALTM
SHEET METAL FABRICATORS

RECYCLE CHUTE INTAKE DOOR
MODEL # 55B 15"X18" TD/BH 1-1/2" TRIM