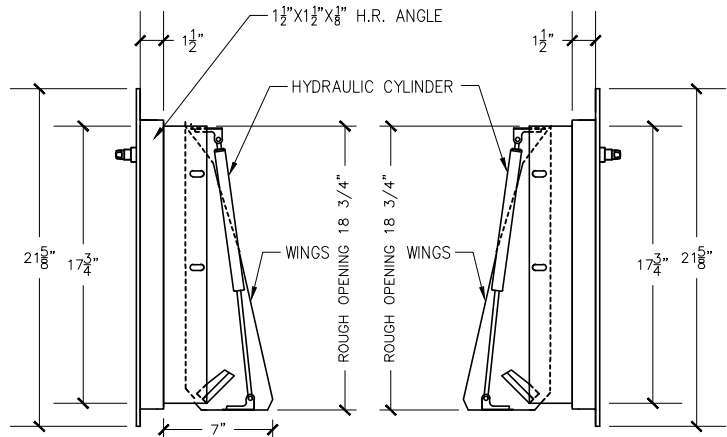


FRONT VIEW

18"X18" BOTTOM HINGED
A/D U.L. APPROVED
W/ RUBBER BAFFLE
(NTS)

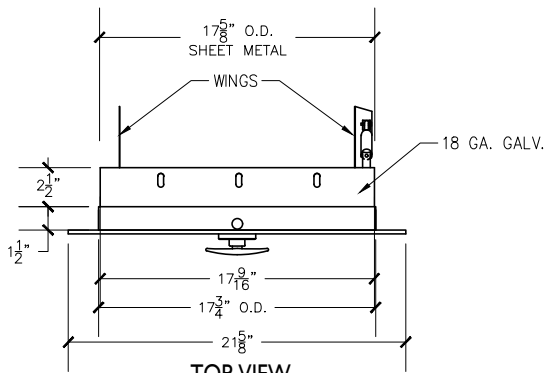


RIGHT VIEW

RUBBER BAFFLE NOT SHOWN

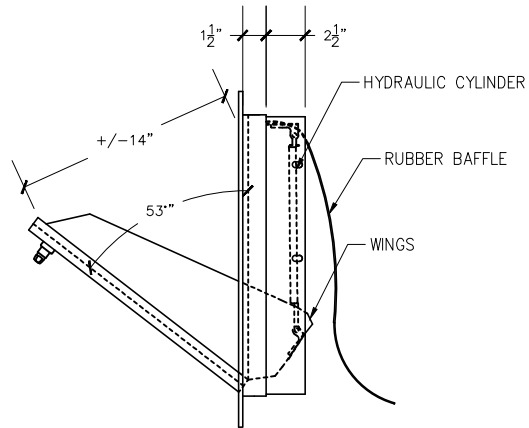
LEFT VIEW

RUBBER BAFFLE NOT SHOWN



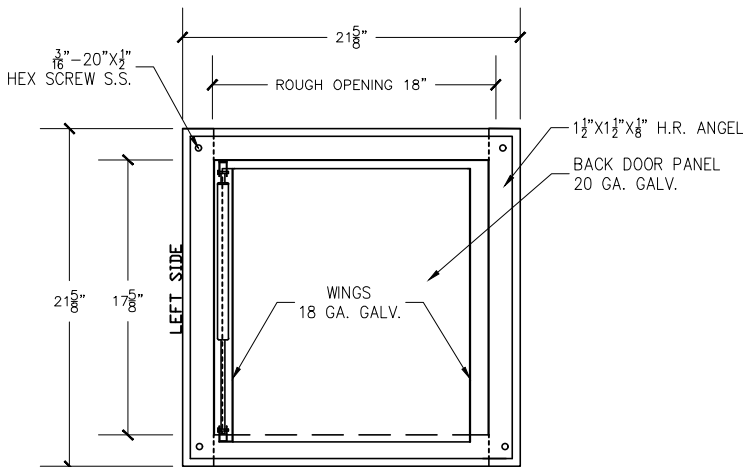
TOP VIEW

RUBBER BAFFLE NOT SHOWN



TRASH DOOR AT OPENED POSITION

WITH RUBBER BAFFLE



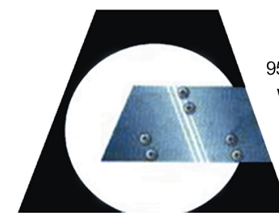
REAR VIEW

RUBBER BAFFLE NOT SHOWN

Trash chute door specifications:

Classified 'UL' Class B labeled: 1-1/2 hour fire rated with 30-minute temperature rise of 250 degrees Fahrenheit and a frame suitable for enclosing multiple type chase construction. Doors are provided with key locking devices at each intake door location. Door trim is embossed "**RUBBISH**".

NOTE:
Rough opening required 18"x18 3/4"



956 Brush Hollow Rd.
Westbury, NY 11590
phone: (718) 472-5700
fax: (718) 472-5813
website: www.allcitymetal.com
e-mail: info@allcitymetal.com

ALL-CITY METAL
SHEET METAL FABRICATORS

M SERIES
TRASH CHUTE INTAKE DOOR
MODEL # 40M 18"x18" TD/BH 2" TRIM