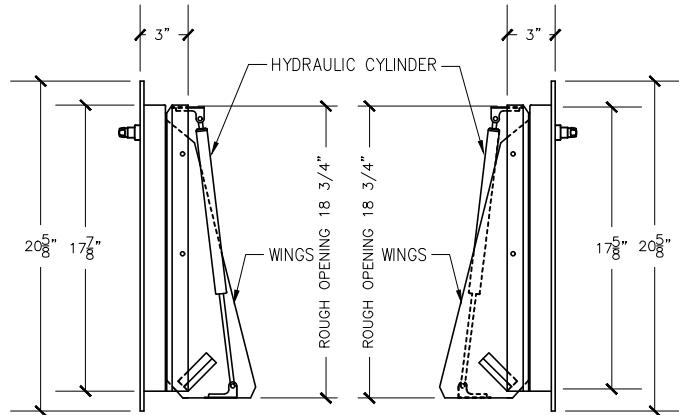


**FRONT VIEW**

18"X18" BOTTOM HINGED  
A/D U.L. APPROVED  
W/ RUBBER BAFFLE  
(NTS)

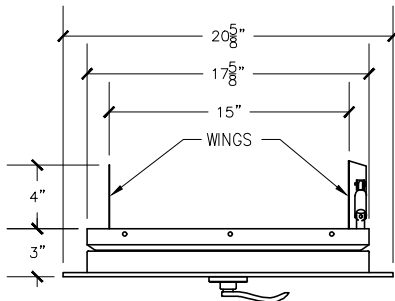


**RIGHT VIEW**

RUBBER BAFFLE NOT SHOWN

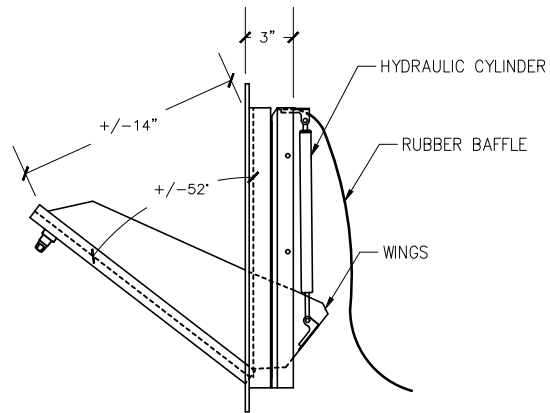
**LEFT VIEW**

RUBBER BAFFLE NOT SHOWN



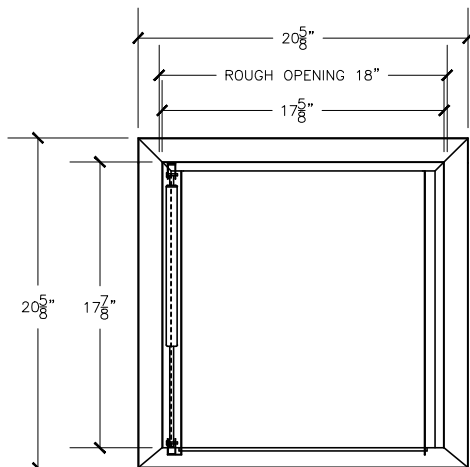
**TOP VIEW**

RUBBER BAFFLE NOT SHOWN



**TRASH DOOR AT OPENED POSITION**

WITH RUBBER BAFFLE



**REAR VIEW**

RUBBER BAFFLE NOT SHOWN

**MODEL # 40B-ADA MEETS ANSI A117.1 REQUIREMENTS:**

Doors are fabricated with type 304 Stainless Steel and Stainless Steel hinges. Construction includes a self closing, self latching quiet door closing function. Lever handle does not strain wrist during operation. Door requires less than 5lbs. of pull force to open.

Classified 'UL' Class B labeled: 1-1/2 hour fire rated with 30-minute temperature rise of 250 degrees Fahrenheit and a frame suitable for enclosing multiple type chase construction. Doors are provided with key locking devices at each intake door location. Door trim is embossed "**RUBBISH**".

**NOTE:**

Rough opening required 18"x18 3/4"



956 Brush Hollow Rd.  
Westbury, NY 11590  
phone: (718) 472-5700  
fax: (718) 472-5813  
website: www.allcitymetal.com  
e-mail: info@allcitymetal.com

**ALL-CITY METAL**<sup>TM</sup>  
SHEET METAL FABRICATORS

**TRASH CHUTE INTAKE DOOR**

MODEL # 40B ADA  
18"X18" TD/BH 1-1/2" TRIM