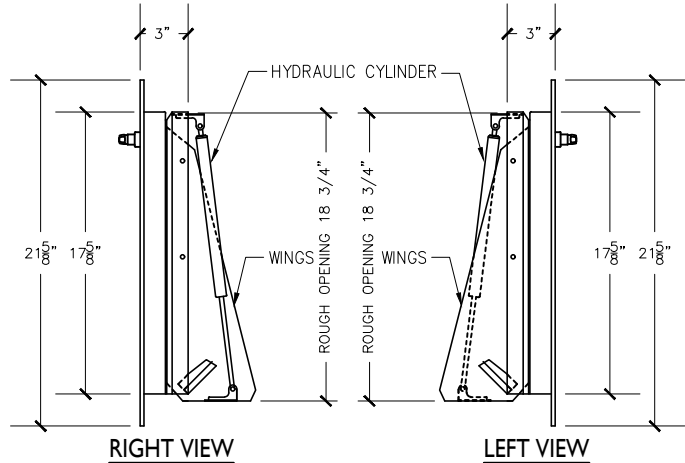
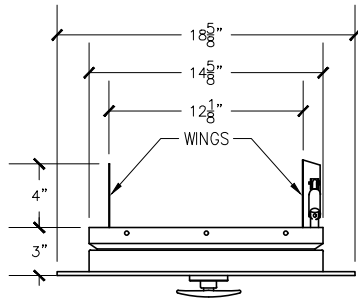


**FRONT VIEW**  
 15"x18" BOTTOM HINGED  
 A/D U.L. APPROVED  
 W/ RUBBER BAFFLE  
 (NTS)

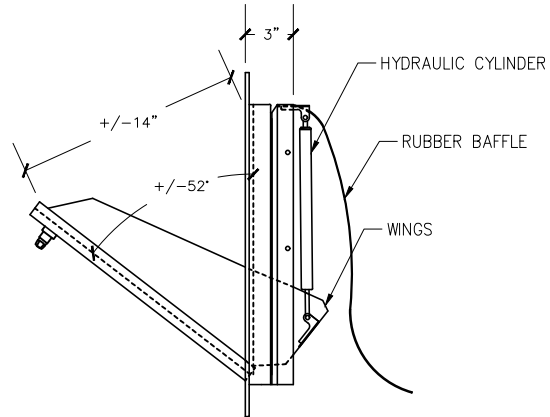


**RIGHT VIEW**  
 RUBBER BAFFLE NOT SHOWN

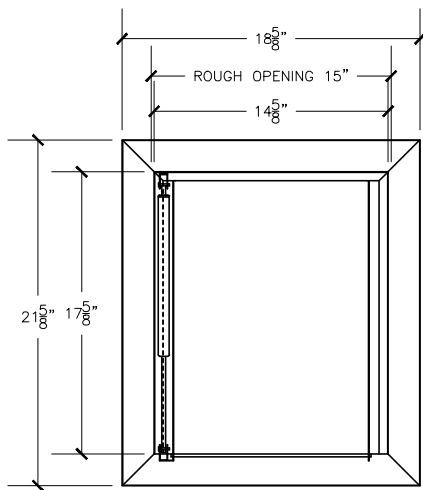
**LEFT VIEW**  
 RUBBER BAFFLE NOT SHOWN



**TOP VIEW**  
 RUBBER BAFFLE NOT SHOWN



**TRASH DOOR AT OPENED POSITION**  
 WITH RUBBER BAFFLE



**REAR VIEW**  
 RUBBER BAFFLE NOT SHOWN

Trash chute door specifications:

Doors are fabricated with type 304 Stainless Steel, Stainless Steel hinges, with a self closing, self latching quiet door closing function. Classified 'UL' Class B labeled: 1-1/2 hour fire rated with 30-minute temperature rise of 250 degrees Fahrenheit and a frame suitable for enclosing multiple type chase construction. Doors are provided with key locking devices at each intake door location. Door trim is embossed "**RUBBISH**".

**NOTE:**  
 Rough opening required 15"x18 3/4"

956 Brush Hollow Rd.  
 Westbury, NY 11590  
 phone: (718) 472-5700  
 fax: (718) 472-5813  
 website: www.allcitymetal.com  
 e-mail: info@allcitymetal.com

**ALL-CITY METAL**<sup>TM</sup>  
 S H E E T M E T A L F A B R I C A T O R S

**TRASH CHUTE INTAKE DOOR**  
 MODEL # 35B2 15"x18" TD/BH 2" TRIM