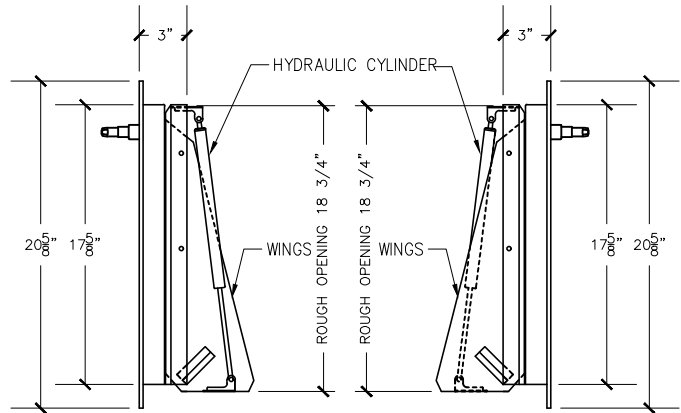


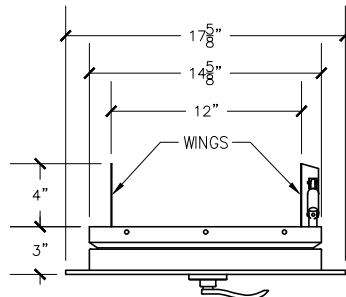
FRONT VIEW

15"x18" BOTTOM HINGED
A/D U.L. APPROVED
W/ RUBBER BAFFLE
(NTS)

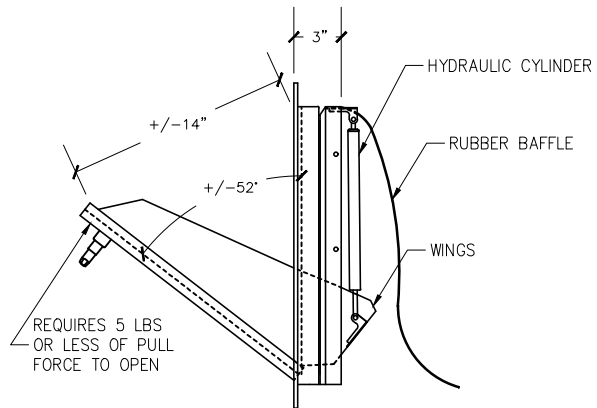


RIGHT VIEW

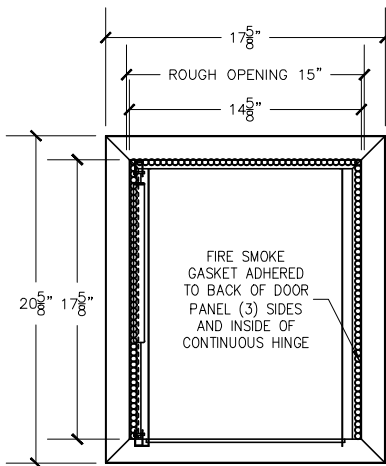
LEFT VIEW



TOP VIEW



TRASH DOOR AT OPENED POSITION



REAR VIEW

NOTE:

Rough opening required 15"x18 3/4"

HAGER SMOKE SEAL 726S CH

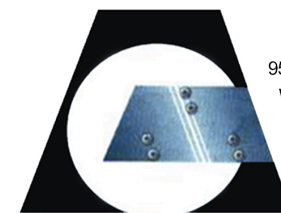
MODEL # 35B-ADA MEETS ANSI A117.1 REQUIREMENTS:

Doors are fabricated with type 304 Stainless Steel and Stainless Steel hinges. Construction includes a self closing, self latching quiet door closing function. Lever handle does not strain wrist during operation. Door requires less than 5lbs. of pull force to open.

Classified 'UL' Class B labeled: 1-1/2 hour fire rated with 30-minute temperature rise of 250 degrees Fahrenheit and a frame suitable for enclosing multiple type chase construction. Doors are provided with key locking devices at each intake door location. Door trim is embossed "**RUBBISH**".

TRASH CHUTE INTAKE DOOR

MODEL # 35B-ADA-GASKET
15"x18" TD/BH 1-1/2" TRIM



956 Brush Hollow Rd.
Westbury, NY 11590
phone: (718) 472-5700
fax: (718) 472-5813

website: www.allcitymetal.com
e-mail: info@allcitymetal.com

ALL-CITY METAL
SHEET METAL FABRICATORS