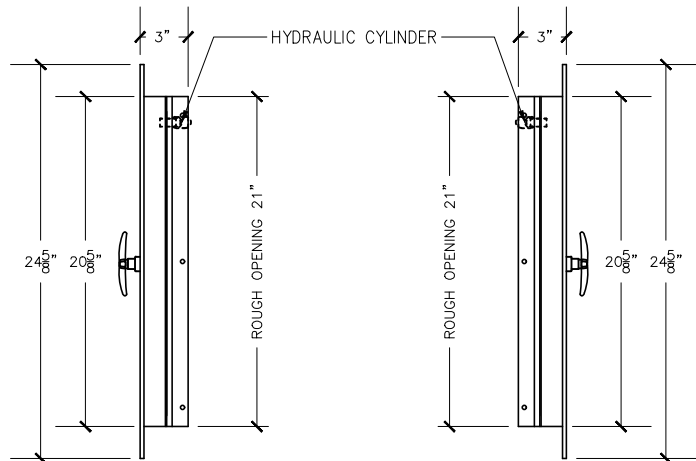
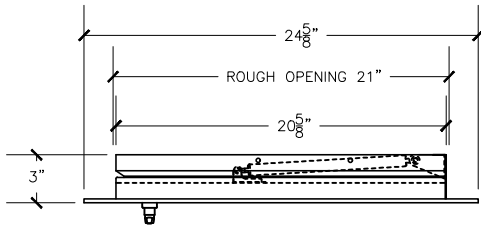


**FRONT VIEW**  
21"X21" SIDE HINGED  
A/D U.L. APPROVED

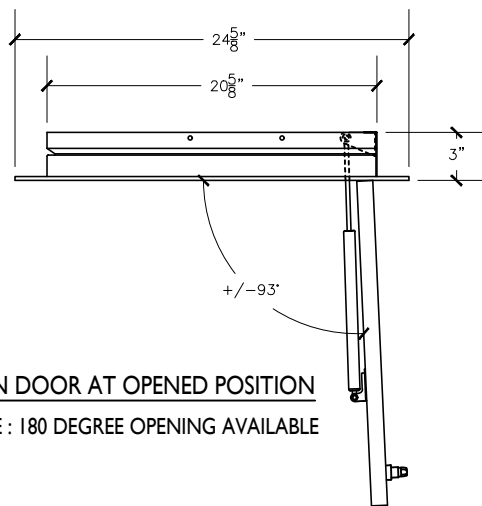


**RIGHT VIEW**

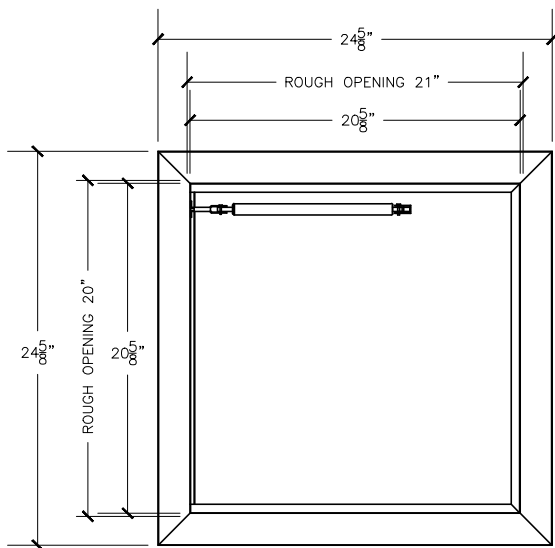
**LEFT VIEW**



**TOP VIEW**



**LINEN DOOR AT OPENED POSITION**  
NOTE : 180 DEGREE OPENING AVAILABLE



**REAR VIEW**

**NOTE:**  
Rough opening required 21"x21"

**Linen chute door specifications:**

Doors are fabricated with type 304 Stainless Steel, Stainless Steel Hinges, with a self closing, self latching quiet door closing function. Class B labeled: 1-1/2 hour fire rated with 30-minute temperature rise of 250 degrees Fahrenheit and a frame suitable for enclosing multiple type chase construction. Doors are provided with key locking devices at each intake door location. Door trim is embossed "LINEN".

956 Brush Hollow Rd.  
Westbury, NY 11590  
phone: (718) 472-5700  
fax: (718) 472-5813  
website: www.allcitymetal.com  
e-mail: info@allcitymetal.com

**ALL-CITY METAL**<sup>TM</sup>  
SHEET METAL FABRICATORS

**LINEN CHUTE INTAKE DOOR**  
MODEL # 28L2-90D 21"X21" LD/RH 2" TRIM