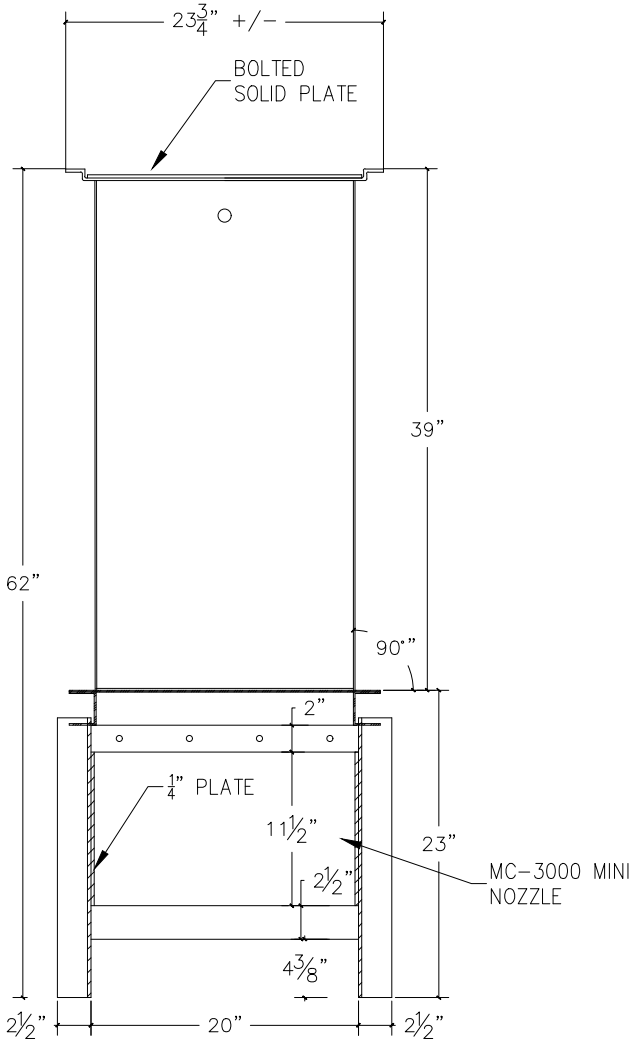
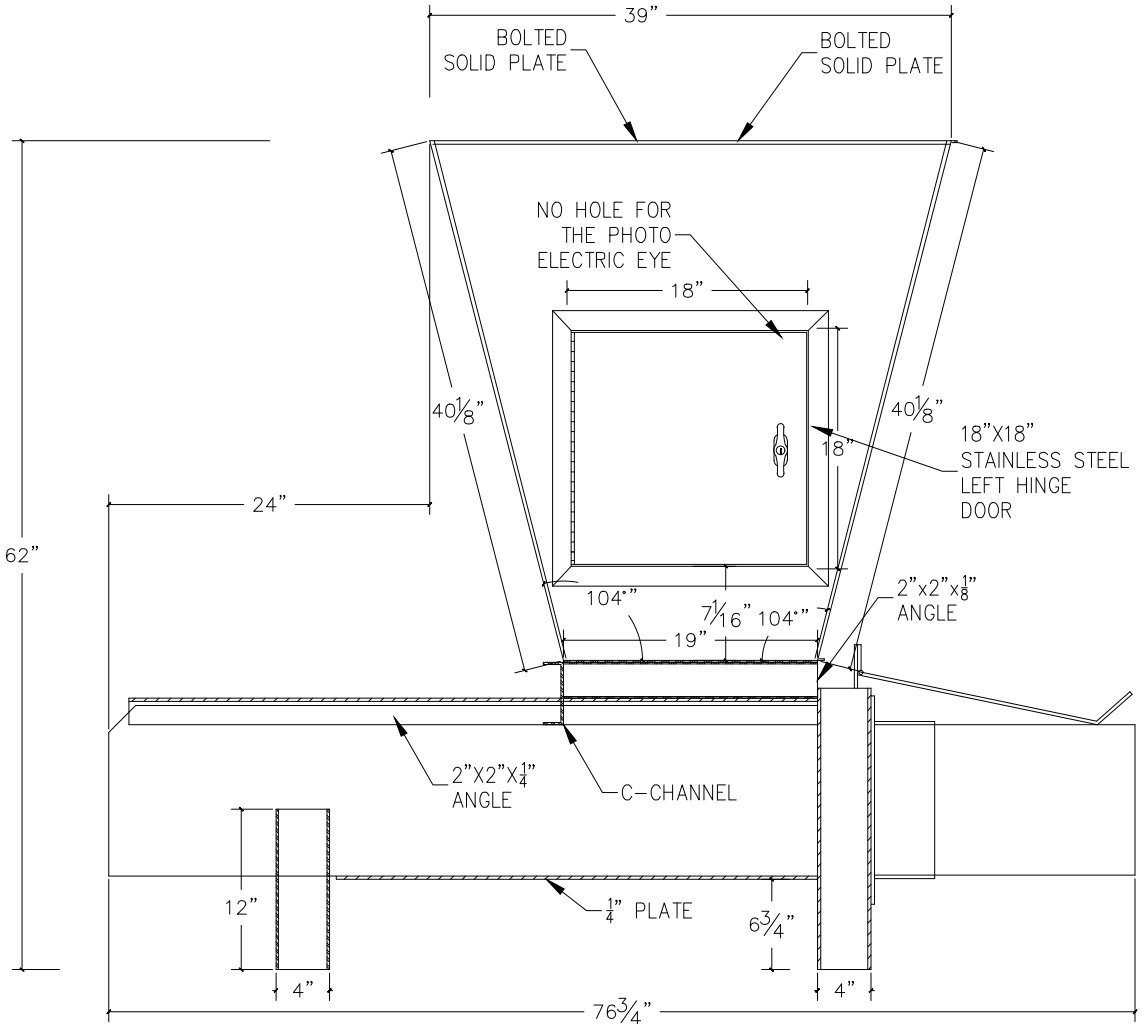


# MC2500-HF COMPACTOR CONFIGURATION

PROJECT: \_\_\_\_\_  
 SOLENOID VALVE PLACEMENT: \_\_\_\_\_  
 DATE REQUIRED: \_\_\_\_\_  
 SPECIAL INSTRUCTIONS: \_\_\_\_\_



FRONT VIEW



SIDE VIEW