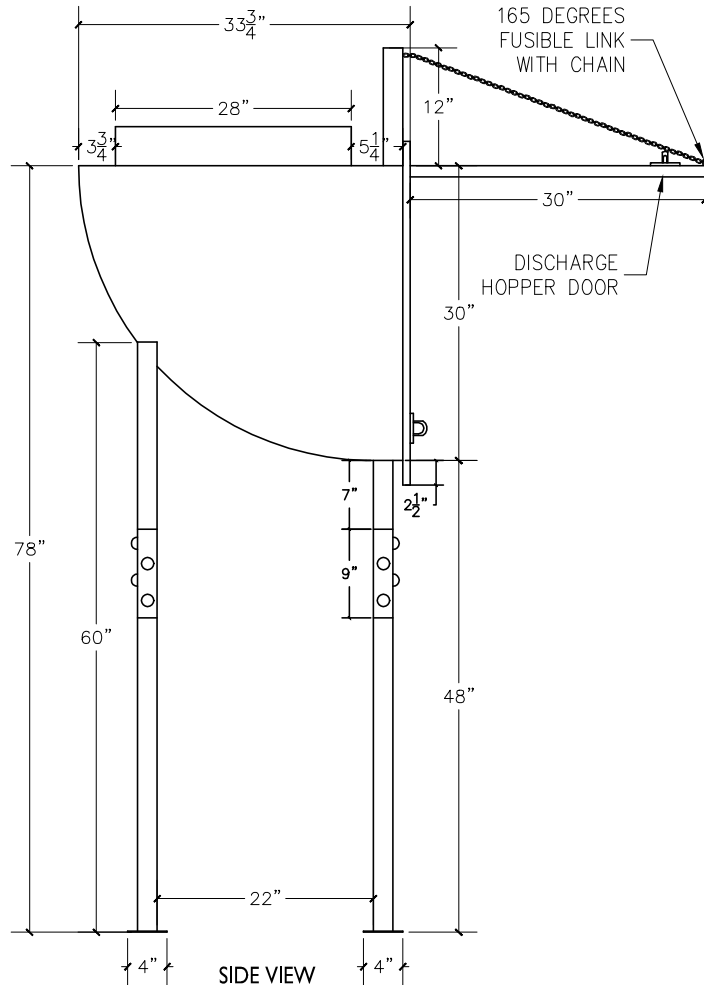
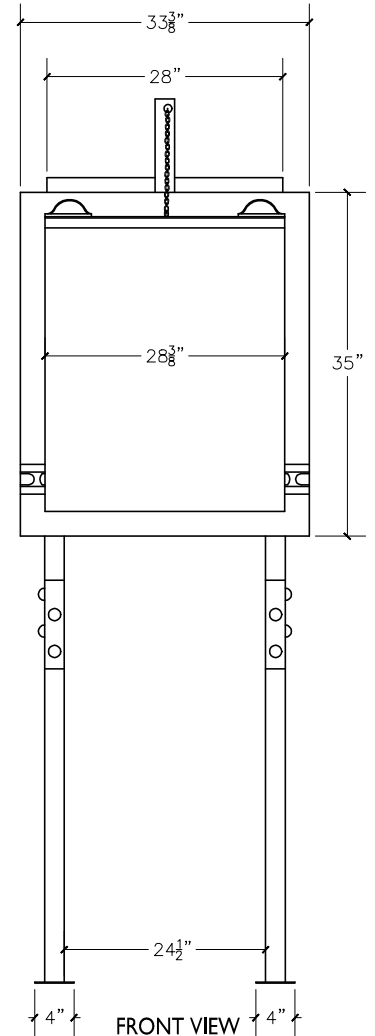


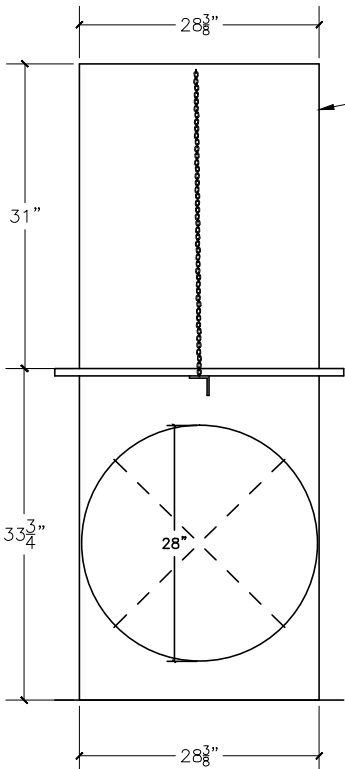
REAR VIEW



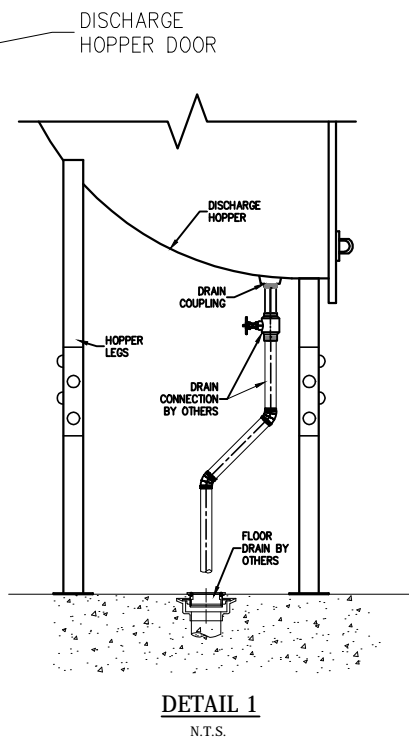
SIDE VIEW



FRONT VIEW



TOP VIEW



DETAIL 1  
N.T.S.

Linen Discharge Hopper specifications:

Hopper Type Discharge Assembly is a self-closing top hinged, Classified 'UL' B labeled door held in the open position with a 'UL' approve 165 Fahrenheit fusible link. Supporting steel angles are provided to complete the installation.

54-35 46<sup>th</sup> Street  
 Maspeth, N.Y. 11378  
 phone: 718-472-5700  
 fax: 718-472-5813  
 website: www.allcitymetal.com  
 e-mail: info@allcitymetal.com

**ALL-CITY METAL**<sup>TM</sup>  
 SHEET METAL FABRICATORS

**LINEN DISCHARGE HOPPER**