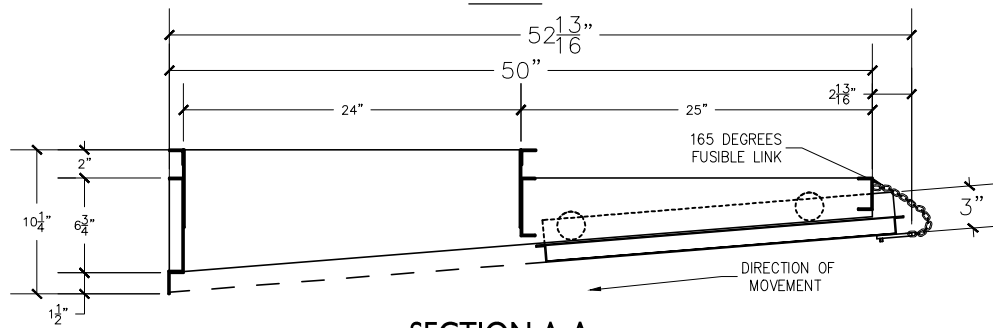
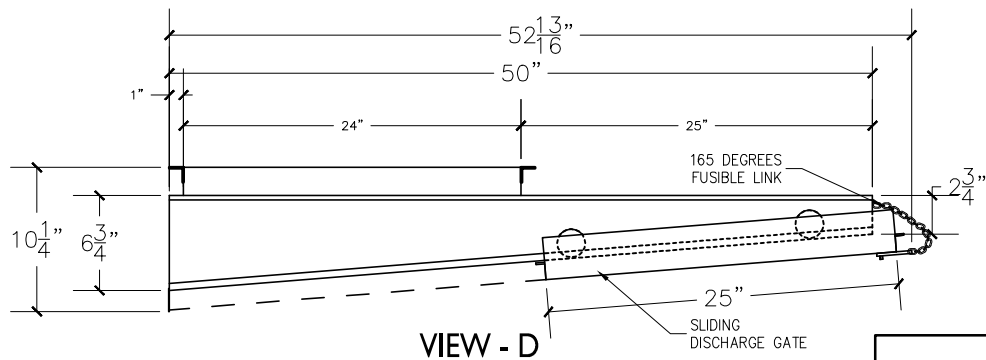


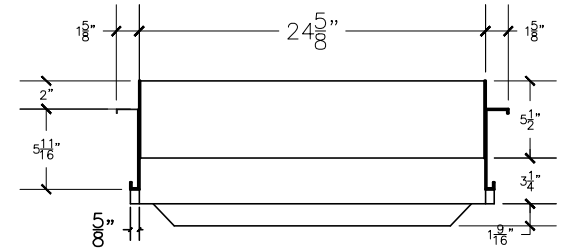
PLAN



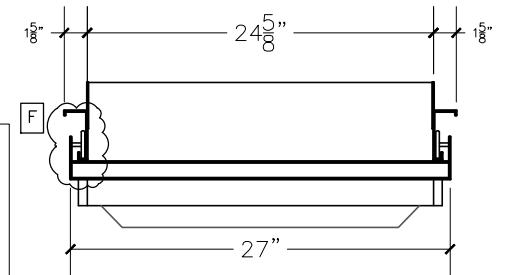
SECTION A-A



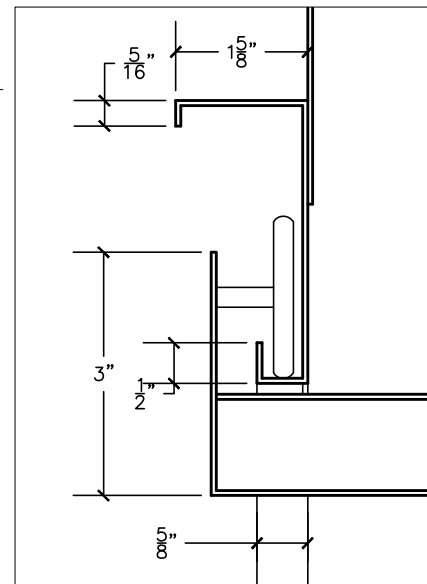
VIEW - D



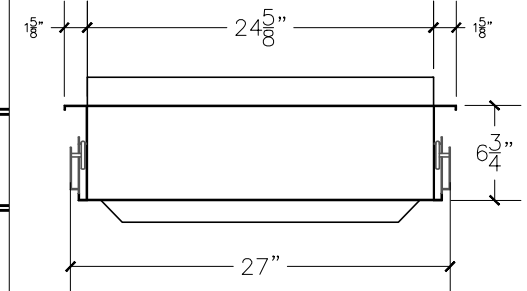
SECTION B-B



SECTION C-C



DETAIL - F



VIEW - E

ROLLING FIRE DISCHARGE GATE

54-35 46th Street
 Maspeth, N.Y. 11378
 phone: 718-472-5700
 fax: 718-472-5813
 website: www.allcitymetal.com
 e-mail: info@allcitymetal.com

ALL-CITY METALTM
 SHEET METAL FABRICATORS