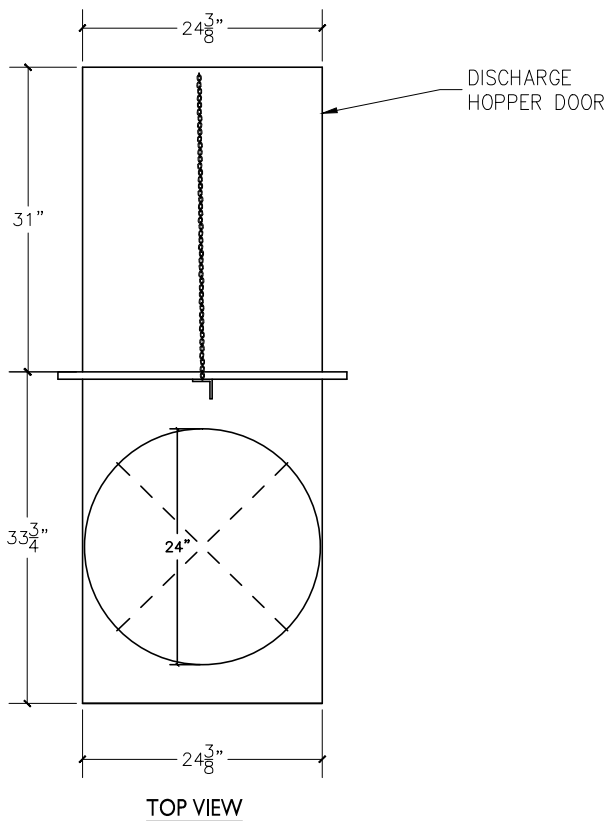


REAR VIEW

SIDE VIEW

FRONT VIEW



TOP VIEW

Linen Discharge Hopper specifications:

Hopper Type Discharge Assembly is a self-closing top hinged, Classified 'UL' B labeled door held in the open position with a 'UL' approve 165 Fahrenheit fusible link. Supporting steel angles are provided to complete the installation.

54-35 46th Street
 Maspeth, N.Y. 11378
 phone: 718-472-5700
 fax: 718-472-5813
 website: www.allcitymetal.com
 e-mail: info@allcitymetal.com

ALL-CITY METAL™
 SHEET METAL FABRICATORS

LINEN DISCHARGE HOPPER