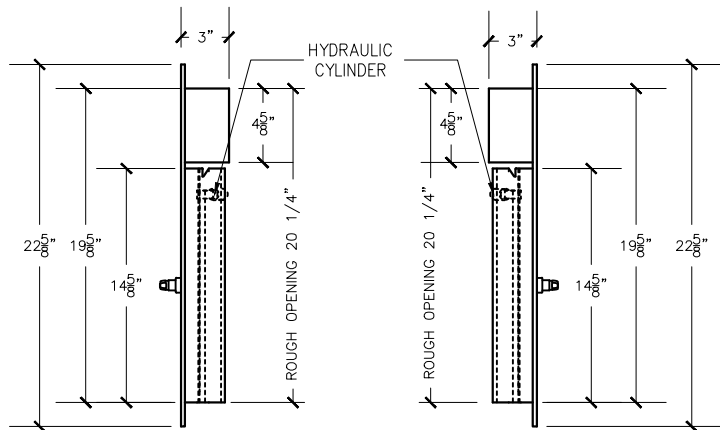
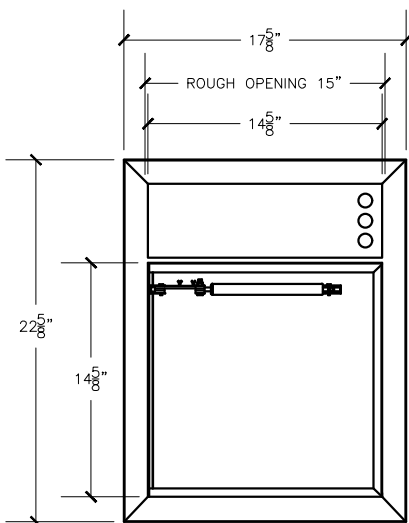


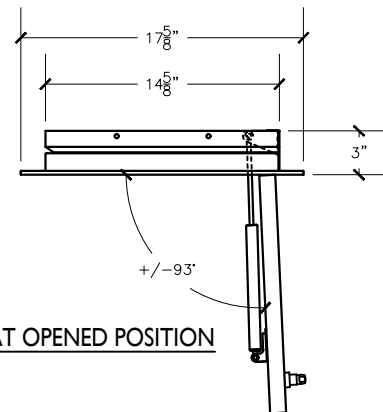
**FRONT VIEW**  
 15"X15" RIGHT HINGED  
 A/D U.L. APPROVED  
 (NTS)



**RIGHT VIEW**      **LEFT VIEW**

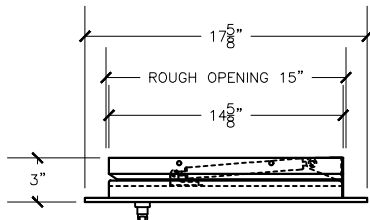


**REAR VIEW**



**Access door specifications:**

Doors are fabricated with type 304 Stainless Steel, Stainless Steel hinges, with a self closing, self latching quiet door closing function. Classified 'UL' Class B labeled: 1-1/2 hour fire rated with 30-minute temperature rise of 250 degrees Fahrenheit and a frame suitable for enclosing multiple type chase construction.



**TOP VIEW**

NOTE:  
 ROUGH OPENING: 15"x20 1/4"

54-35 46<sup>th</sup> Street  
 Maspeth, NY 11378  
 phone: (718) 472-5700  
 fax: (718) 472-5813  
 website: www.allcitymetal.com  
 e-mail: info@allcitymetal.com

**ALL-CITY METAL**<sup>TM</sup>  
 SHEET METAL FABRICATORS

**INTERLOCK SMART DOOR FOR  
 ACCESS DOOR**

MODEL # ISD15ADR 15"X15" RH I-1/2" TRIM