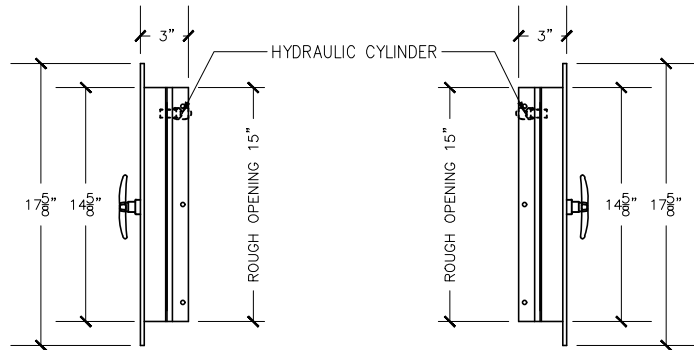


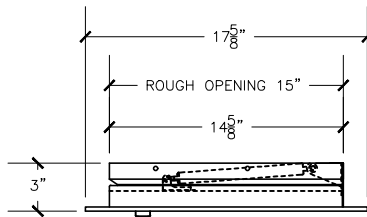
FRONT VIEW

15"X15" SIDE HINGED
A/D U.L. APPROVED

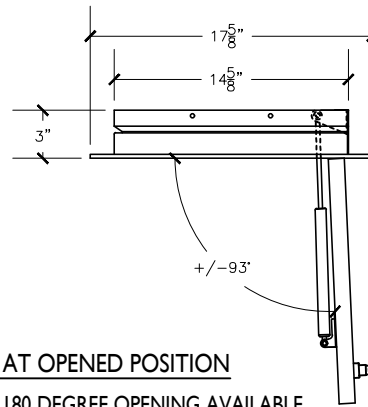


RIGHT VIEW

LEFT VIEW



TOP VIEW

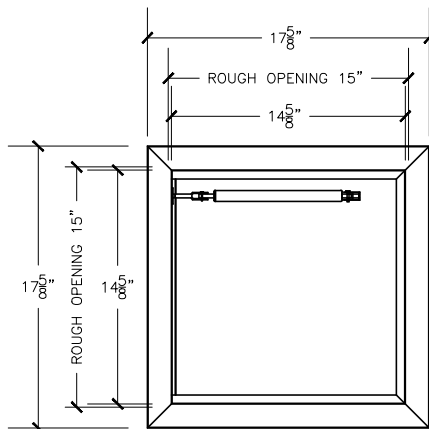


DOOR AT OPENED POSITION

NOTE : 180 DEGREE OPENING AVAILABLE

Access chute door specifications:

Doors are fabricated with type 304 Stainless Steel, Stainless Steel Hinges, with a self closing, self latching quiet door closing function. Class B labeled: 1-1/2 hour fire rated with 30-minute temperature rise of 250 degrees Fahrenheit and a frame suitable for enclosing multiple type chase construction. Doors are provided with key locking devices at each intake door location.



REAR VIEW

NOTE:

Rough opening required 15"x15"

54-35 46th Street
Maspeth, NY 11378
phone: (718) 472-5700
fax: (718) 472-5813
website: www.allcitymetal.com
e-mail: info@allcitymetal.com

ALL-CITY METAL^{INC.}
SHEET METAL FABRICATORS

ACCESS DOOR

MODEL # 15R-90D 15"X15" AD/RH 1-1/2" TRIM