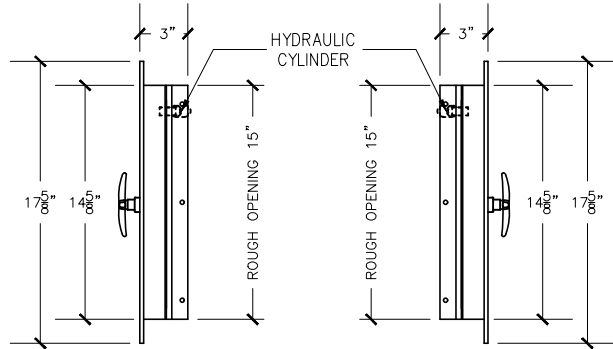


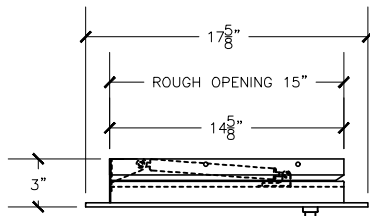
**FRONT VIEW**

15"X15" SIDE HINGED  
A/D U.L. APPROVED

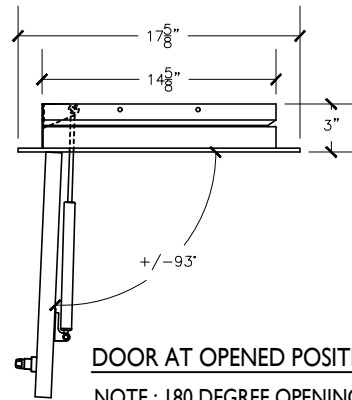


**RIGHT VIEW**

**LEFT VIEW**

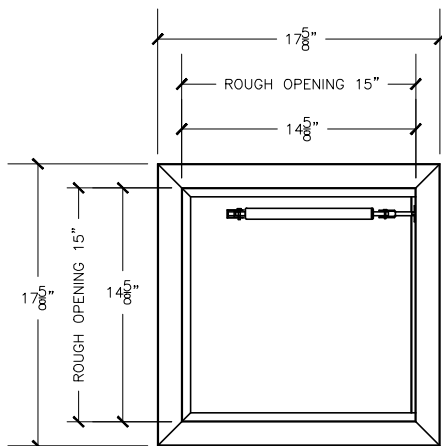


**TOP VIEW**



**DOOR AT OPENED POSITION**

NOTE : 180 DEGREE OPENING AVAILABLE



**REAR VIEW**

Access door specifications:

Doors are fabricated with type 304 Stainless Steel, Stainless Steel Hinges, with a self closing, self latching quiet door closing function. Class B labeled: 1-1/2 hour fire rated with 30-minute temperature rise of 250 degrees Fahrenheit and a frame suitable for enclosing multiple type chase construction. Doors are provided with key locking devices at each intake door location.

NOTE:  
Rough opening required 15"x15"

54-35 46<sup>th</sup> Street  
Maspeth, NY 11378  
phone: (718) 472-5700  
fax: (718) 472-5813  
website: www.allcitymetal.com  
e-mail: info@allcitymetal.com

**ALL-CITY METAL**<sup>TM</sup>  
SHEET METAL FABRICATORS

ACCESS DOOR  
MODEL # 15L-90D 15"X15" AD/LH 1-1/2" TRIM