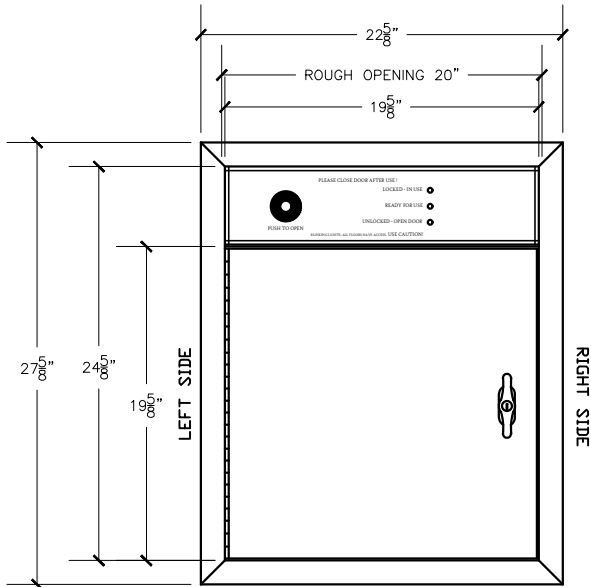
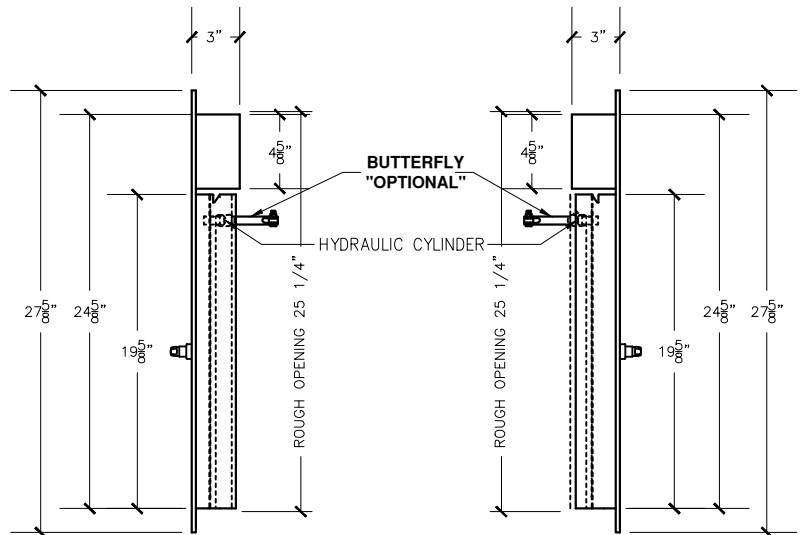


Z:\5 Trash Chutes\Detail Specifications\DOOR SPECS AND CAD FILES\ISD27L-180 20x20 LD-LH\INTERLOCK SMART DOOR ISD27L 20x20_REV.1.dwg



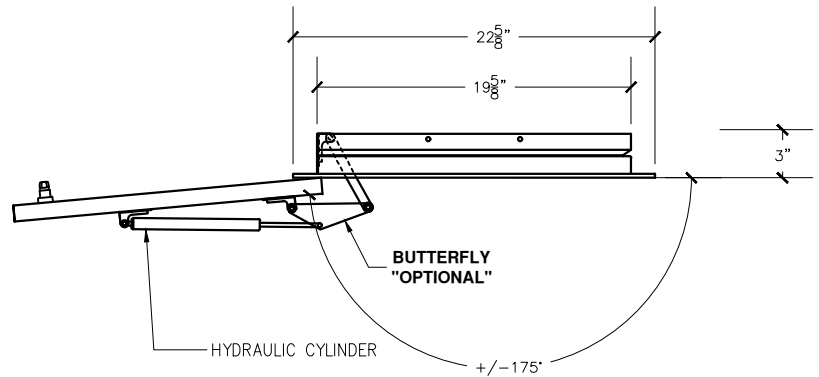
FRONT VIEW

20"X20" LEFT HINGED
A/D U.L. APPROVED
(NTS)

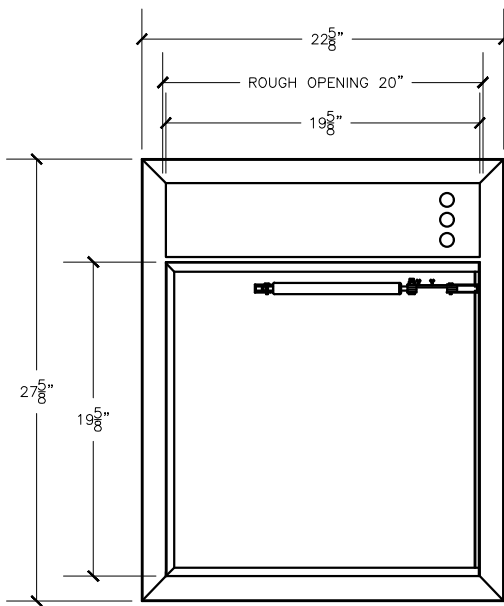


RIGHT VIEW

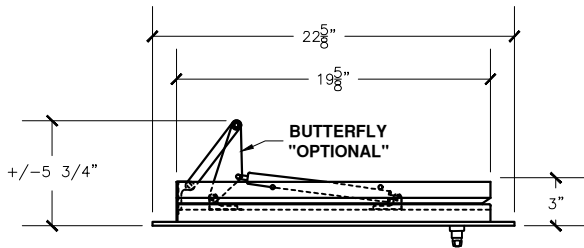
LEFT VIEW



LINEN DOOR AT OPENED POSITION



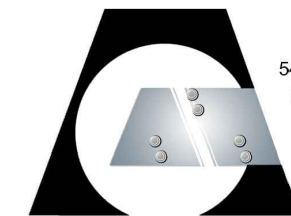
REAR VIEW



TOP VIEW

Interlock Smart Door for Linen chute specifications:

Doors are fabricated with type 304 Stainless Steel, Stainless Steel hinges, with a self closing, self latching quite door closing function. Classified 'UL' Class B labeled: 1-1/2 hour fire rated with 30-minute temperature rise of 250 degrees Fahrenheit and a frame suitable for enclosing multiple type chase construction. Doors are provided with key locking devices at each intake door location.



54-35 46th Street
Maspeth, NY 11378
phone: (718) 472-5700
fax: (718) 472-5813
website: www.allcitymetal.com
e-mail: info@allcitymetal.com

ALL-CITY METAL
SHEET METAL FABRICATORS

INTERLOCK SMART DOOR FOR LINEN CHUTE

MODEL # ISD27L-180 20"X20" LD/LH 1-1/2" TRIM

NOTE:

Rough opening required 20"x25 1/4"