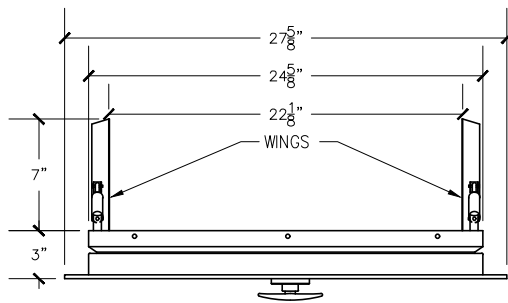


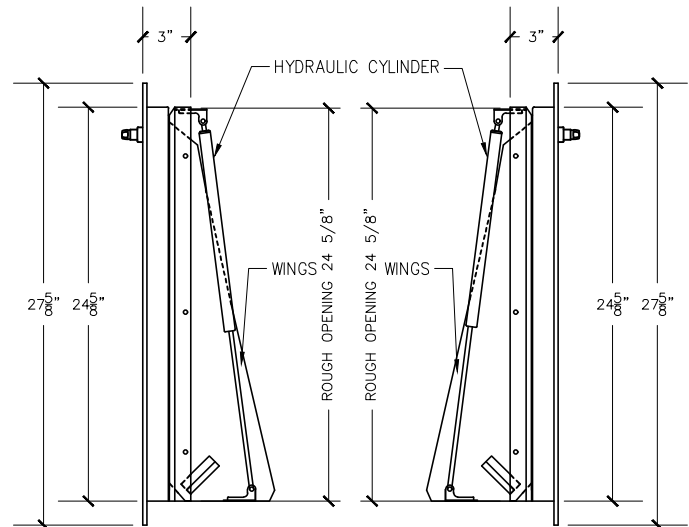
FRONT VIEW

25"X25" BOTTOM HINGED
A/D U.L. APPROVED
W/ RUBBER BAFFLE
(NTS)



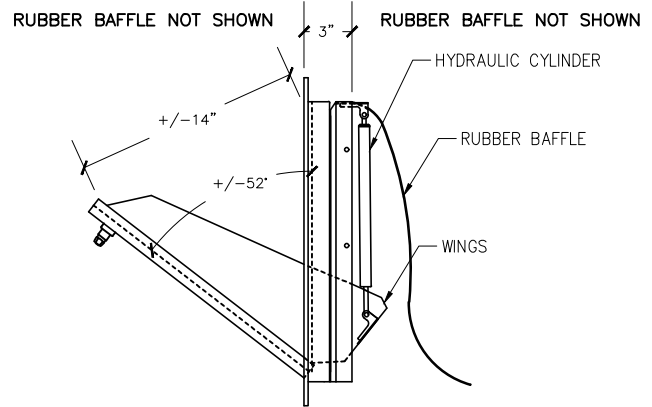
TOP VIEW

RUBBER BAFFLE NOT SHOWN



RIGHT VIEW

LEFT VIEW

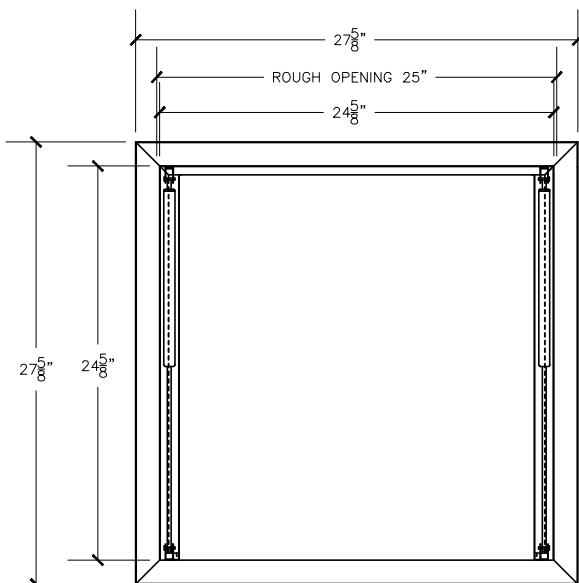


TRASH DOOR AT OPENED POSITION

WITH RUBBER BAFFLE

Trash chute door specifications:

Doors are fabricated with type 304 Stainless Steel, Stainless Steel hinges, with a self closing, self latching quiet door closing function. Classified 'UL' Class B labeled: 1-1/2 hour fire rated with 30-minute temperature rise of 250 degrees Fahrenheit and a frame suitable for enclosing multiple type chase construction. Doors are provided with key locking devices at each intake door location. Door trim is embossed "**RUBBISH**".



REAR VIEW

RUBBER BAFFLE NOT SHOWN

NOTE:

Rough opening required 25"X25 3/4"

54-35 46th Street
Maspeth, NY 11378
phone: (718) 472-5700
fax: (718) 472-5813
website: www.allcitymetal.com
e-mail: info@allcitymetal.com

ALL-CITY METAL^{INC.}
SHEET METAL FABRICATORS

TRASH CHUTE INTAKE DOOR
MODEL # 46B 25"X25" TD/BH 1-1/2" TRIM