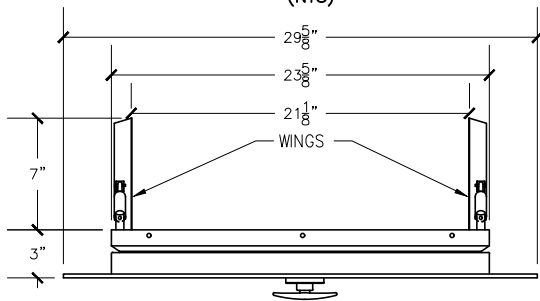


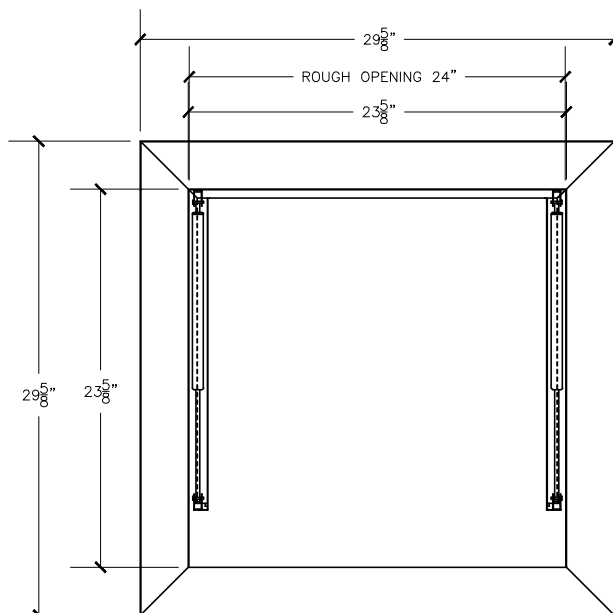
FRONT VIEW

24"X24" BOTTOM HINGED
A/D U.L. APPROVED
W/ RUBBER BAFFLE
(NTS)



TOP VIEW

RUBBER BAFFLE NOT SHOWN

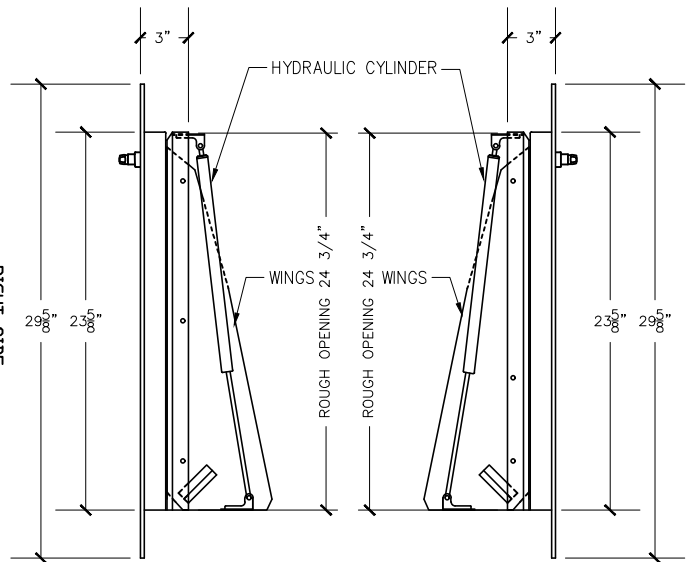


REAR VIEW

RUBBER BAFFLE NOT SHOWN

NOTE:

Rough opening required 24"x24 3/4"

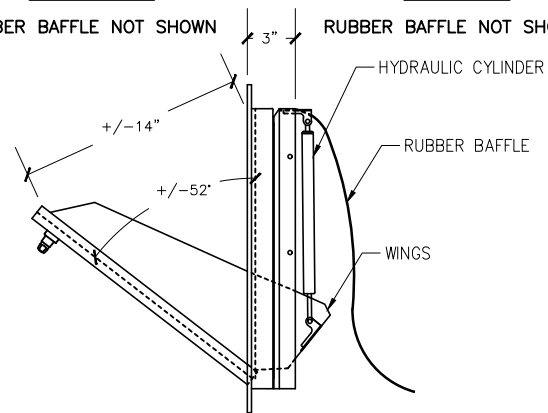


RIGHT VIEW

LEFT VIEW

RUBBER BAFFLE NOT SHOWN

RUBBER BAFFLE NOT SHOWN



TRASH DOOR AT OPENED POSITION

WITH RUBBER BAFFLE

Trash chute door specifications:

Doors are fabricated with type 304 Stainless Steel, Stainless Steel hinges, with a self closing, self latching quiet door closing function. Classified 'UL' Class B labeled: 1-1/2 hour fire rated with 30-minute temperature rise of 250 degrees Fahrenheit and a frame suitable for enclosing multiple type chase construction. Doors are provided with key locking devices at each intake door location. Door trim is embossed "**RUBBISH**".

54-35 46th Street
Maspeth, NY 11378
phone: (718) 472-5700
fax: (718) 472-5813
website: www.allcitymetal.com
e-mail: info@allcitymetal.com

ALL-CITY METAL^{INC.}
SHEET METAL FABRICATORS

TRASH CHUTE INTAKE DOOR
MODEL # 45B3 24"X24" TD/BH 3" TRIM