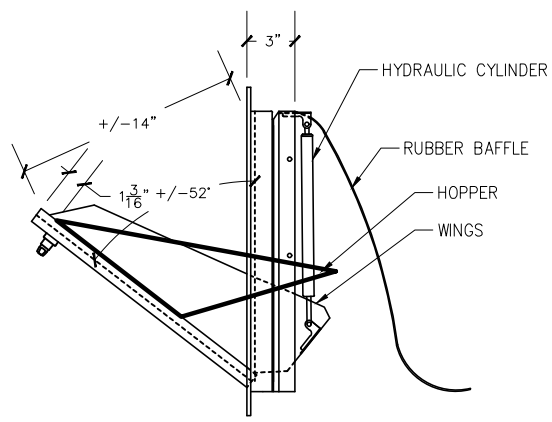
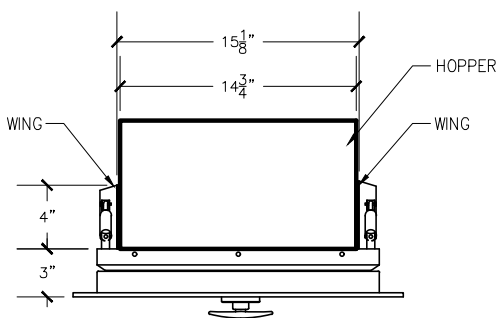


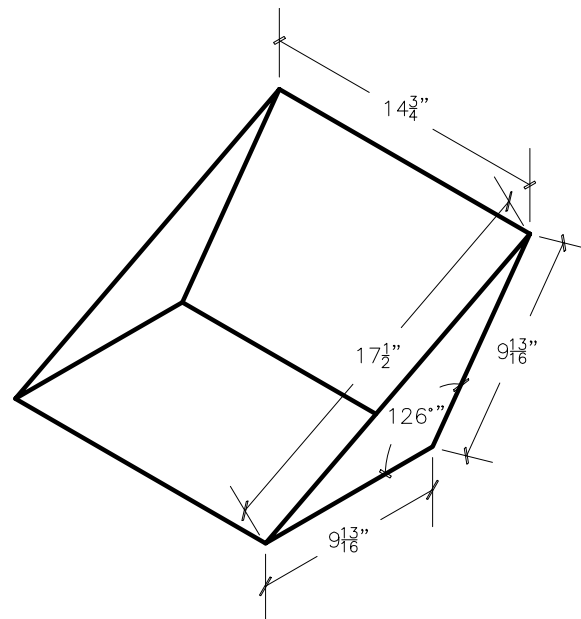
**RIGHT VIEW**  
RUBBER BAFFLE NOT SHOWN



**TRASH DOOR AT OPENED POSITION**  
WITH RUBBER BAFFLE



**TOP VIEW**  
RUBBER BAFFLE NOT SHOWN



**HOPPER DETAIL**

Trash chute door specifications:

Doors are fabricated with type 304 Stainless Steel, Stainless Steel hinges, with a self closing, self latching quiet door closing function. Classified 'UL' Class B labeled: 1-1/2 hour fire rated with 30-minute temperature rise of 250 degrees Fahrenheit and a frame suitable for enclosing multiple type chase construction. Doors are provided with key locking devices at each intake door location. Door trim is embossed "**RUBBISH**".

NOTE:

1. Rough opening required 18"x18 3/4"
2. Hopper welded to door.



54-35 46<sup>th</sup> Street  
Maspeth, NY 11378  
phone: (718) 472-5700  
fax: (718) 472-5813  
website: www.allcitymetal.com  
e-mail: info@allcitymetal.com

**ALL-CITY METAL**  
SHEET METAL FABRICATORS

**TRASH CHUTE INTAKE DOOR  
W/ HOPPER**

MODEL # 40B 18"X18" TD/BH 1-1/2" TRIM/H