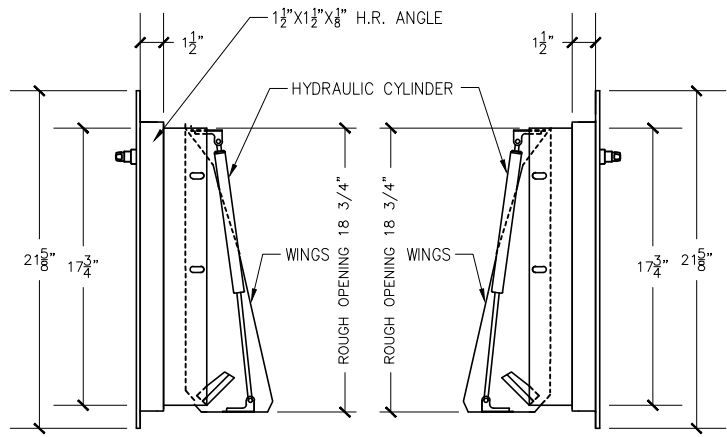


**FRONT VIEW**

15"x18" BOTTOM HINGED  
A/D U.L. APPROVED  
W/ RUBBER BAFFLE  
(NTS)

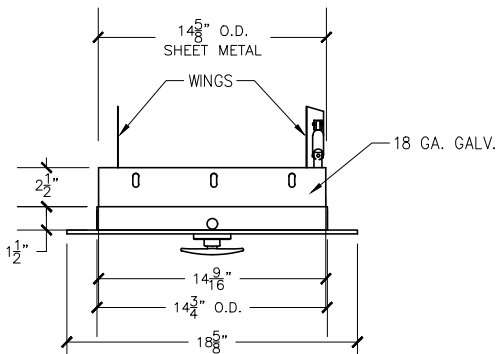


**RIGHT VIEW**

RUBBER BAFFLE NOT SHOWN

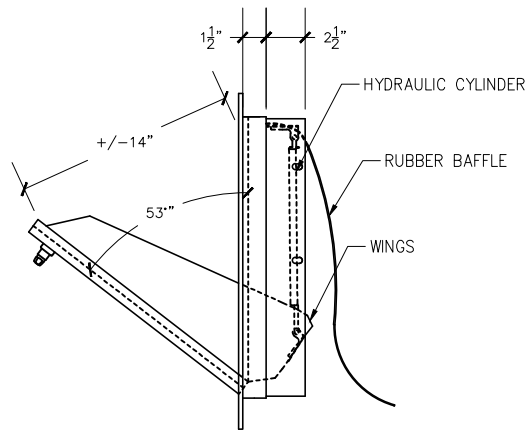
**LEFT VIEW**

RUBBER BAFFLE NOT SHOWN



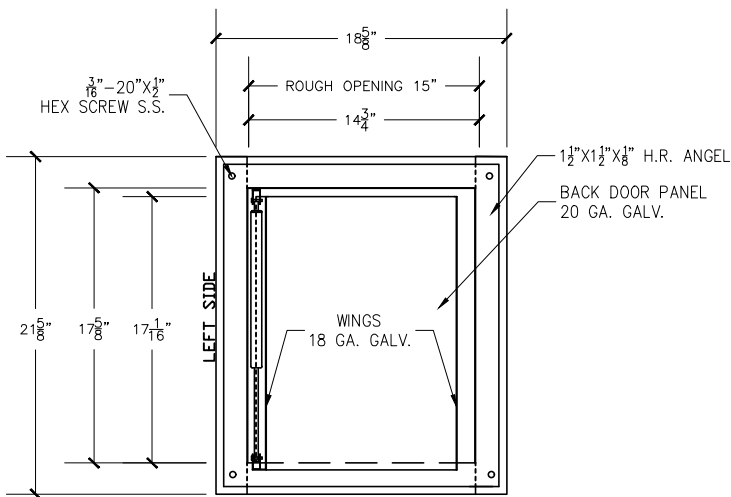
**TOP VIEW**

RUBBER BAFFLE NOT SHOWN



**TRASH DOOR AT OPENED POSITION**

WITH RUBBER BAFFLE



**REAR VIEW**

RUBBER BAFFLE NOT SHOWN

**Trash chute door specifications:**

Classified 'UL' Class B labeled: 1-1/2 hour fire rated with 30-minute temperature rise of 250 degrees Fahrenheit and a frame suitable for enclosing multiple type chase construction. Doors are provided with key locking devices at each intake door location. Door trim is embossed "**RUBBISH**".



54-35 46<sup>th</sup> Street  
Maspeth, NY 11378  
phone: (718) 472-5700  
fax: (718) 472-5813  
website: www.allcitymetal.com  
e-mail: info@allcitymetal.com

**ALL-CITY METAL**  
SHEET METAL FABRICATORS

**M SERIES**  
**TRASH CHUTE INTAKE DOOR**  
MODEL # 35M 15"x18" TD/BH 2" TRIM

**NOTE:**

Rough opening required 15"x18 3/4"