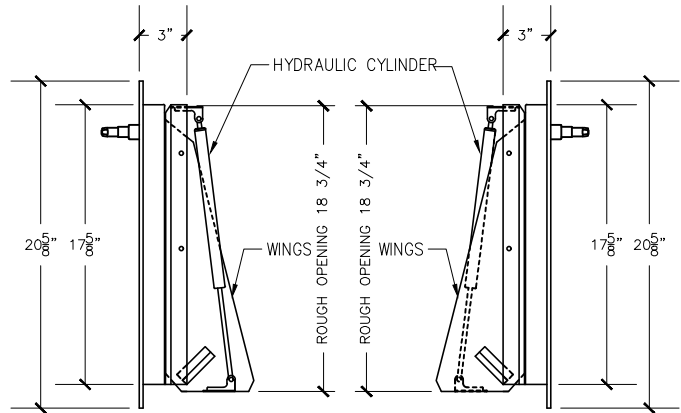


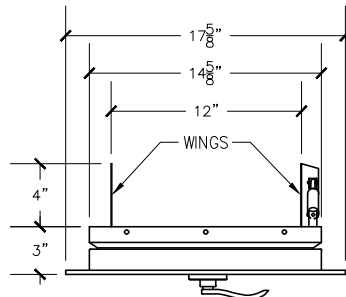
**FRONT VIEW**

15"x18" BOTTOM HINGED  
A/D U.L. APPROVED  
W/ RUBBER BAFFLE  
(NTS)

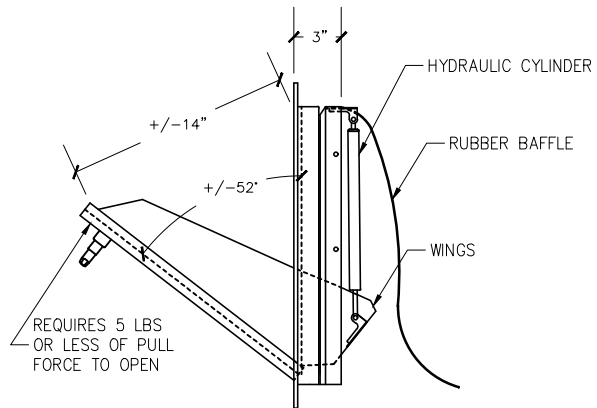


**RIGHT VIEW**

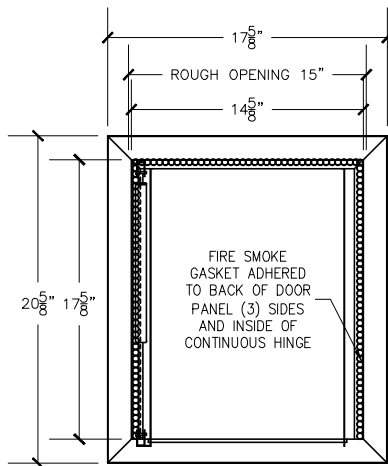
**LEFT VIEW**



**TOP VIEW**



**TRASH DOOR AT OPENED POSITION**



**REAR VIEW**

**NOTE:**

Rough opening required 15"x18 3/4"

**HAGER SMOKE SEAL 726S CH**

**MODEL # 35B-ADA MEETS ANSI A117.1 REQUIREMENTS:**

Doors are fabricated with type 304 Stainless Steel and Stainless Steel hinges. Construction includes a self closing, self latching quiet door closing function. Lever handle does not strain wrist during operation. Door requires less than 5lbs. of pull force to open.

Classified 'UL' Class B labeled: 1-1/2 hour fire rated with 30-minute temperature rise of 250 degrees Fahrenheit and a frame suitable for enclosing multiple type chase construction. Doors are provided with key locking devices at each intake door location. Door trim is embossed "**RUBBISH**".

**TRASH CHUTE INTAKE DOOR**

MODEL # 35B-ADA-GASKET  
15"x18" TD/BH 1-1/2" TRIM

54-35 46<sup>th</sup> Street  
Maspeth, NY 11378  
phone: (718) 472-5700  
fax: (718) 472-5813  
website: www.allcitymetal.com  
e-mail: info@allcitymetal.com

**ALL-CITY METAL**  
SHEET METAL FABRICATORS