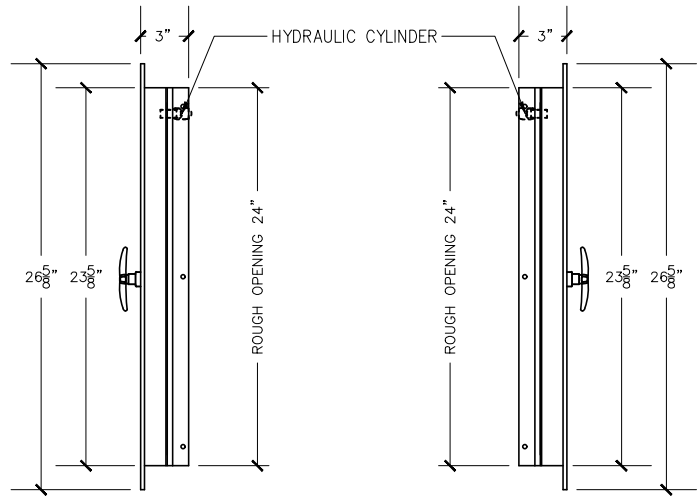


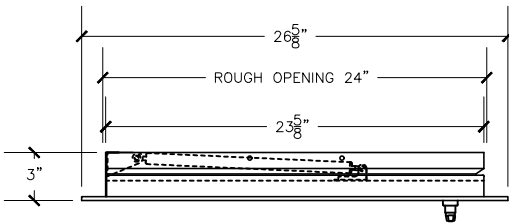
**FRONT VIEW**

A/D U.L. APPROVED  
24"X24" SIDE HINGED

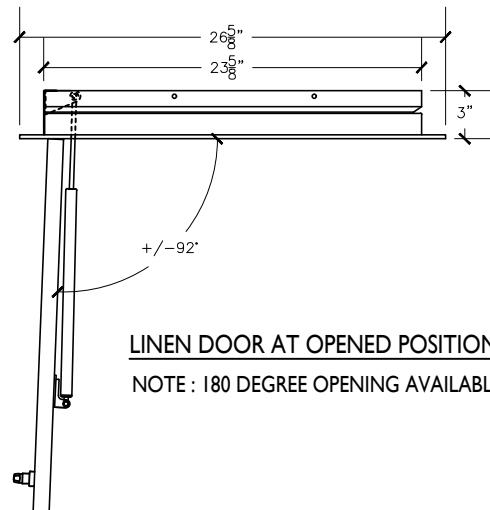


**RIGHT VIEW**

**LEFT VIEW**



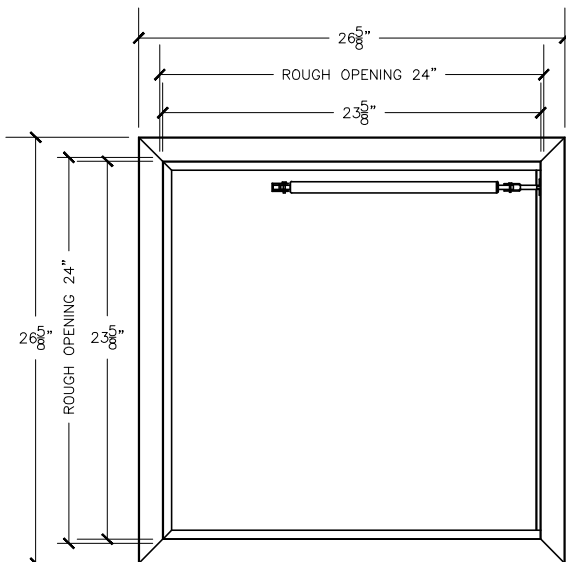
**TOP VIEW**



**LINEN DOOR AT OPENED POSITION**  
NOTE : 180 DEGREE OPENING AVAILABLE

**Linen chute door specifications:**

Doors are fabricated with type 304 Stainless Steel, Stainless Steel Hinges, with a self closing, self latching quiet door closing function. Class B labeled: 1-1/2 hour fire rated with 30-minute temperature rise of 250 degrees Fahrenheit and a frame suitable for enclosing multiple type chase construction. Doors are provided with key locking devices at each intake door location. Door trim is embossed "LINEN".



**REAR VIEW**

**NOTE:**  
Rough opening required 24"x24"

54-35 46<sup>th</sup> Street  
Maspeth, NY 11378  
phone: (718) 472-5700  
fax: (718) 472-5813  
website: www.allcitymetal.com  
e-mail: info@allcitymetal.com

**ALL-CITY METAL**  
SHEET METAL FABRICATORS

**LINEN CHUTE INTAKE DOOR**  
MODEL # 29L-90D 24"X24" LD/LH 1-1/2" TRIM