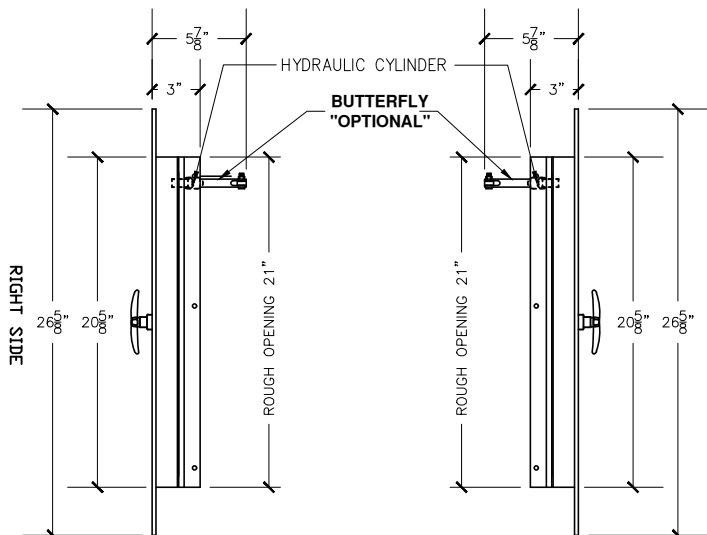
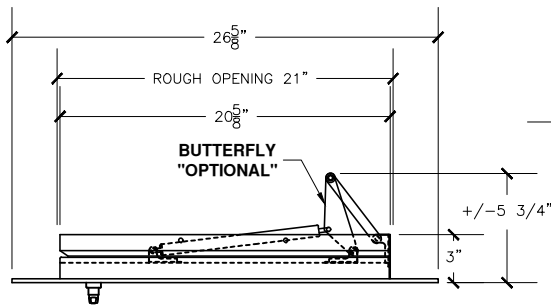


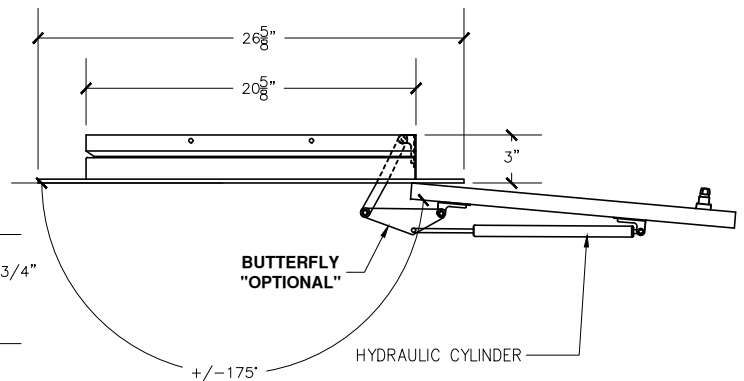
**FRONT VIEW**  
21"X21" SIDE HINGED  
A/D U.L. APPROVED



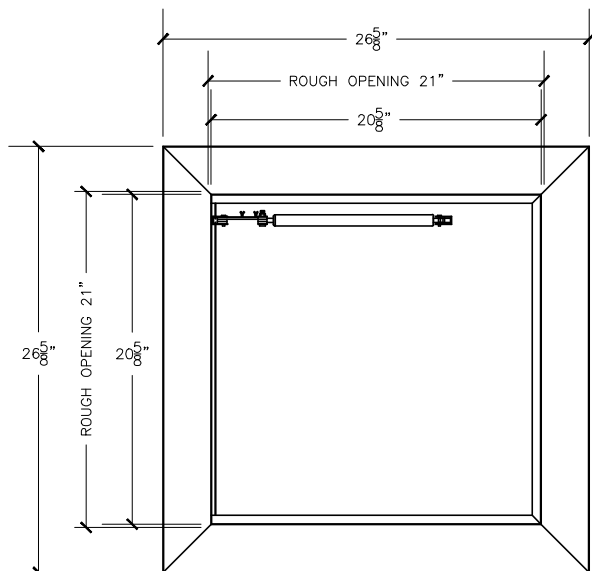
**RIGHT VIEW**      **LEFT VIEW**



**TOP VIEW**



**LINEN DOOR AT OPENED POSITION**



**REAR VIEW**

**Linen chute door specifications:**

Doors are fabricated with type 304 Stainless Steel, Stainless Steel Hinges, with a self closing, self latching quiet door closing function. Class B labeled: 1-1/2 hour fire rated with 30-minute temperature rise of 250 degrees Fahrenheit and a frame suitable for enclosing multiple type chase construction. Doors are provided with key locking devices at each intake door location. Door trim is embossed "LINEN".

**NOTE:**  
Rough opening required 21"x21"

54-35 46<sup>th</sup> Street  
Maspeth, NY 11378  
phone: (718) 472-5700  
fax: (718) 472-5813  
website: www.allcitymetal.com  
e-mail: info@allcitymetal.com

**ALL-CITY METAL**<sup>INC.</sup>  
S H E E T M E T A L F A B R I C A T O R S

**LINEN CHUTE INTAKE DOOR**  
MODEL # 28L3-180D 21"X21" LD/RH 3" TRIM