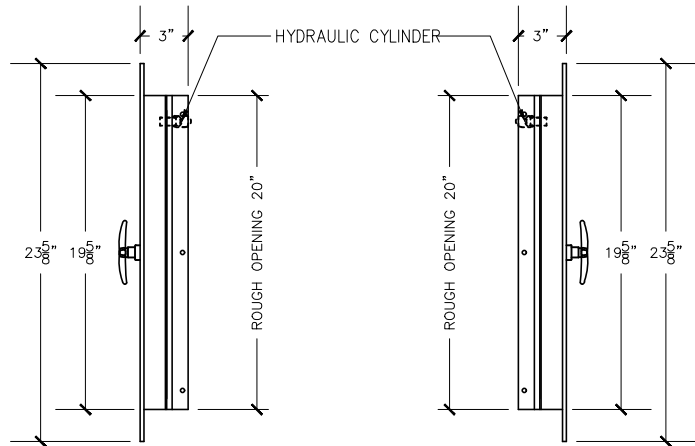
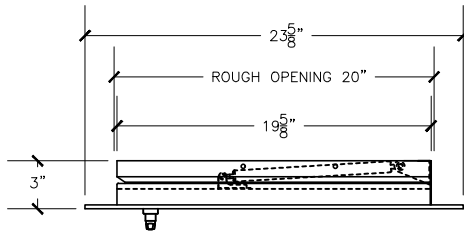


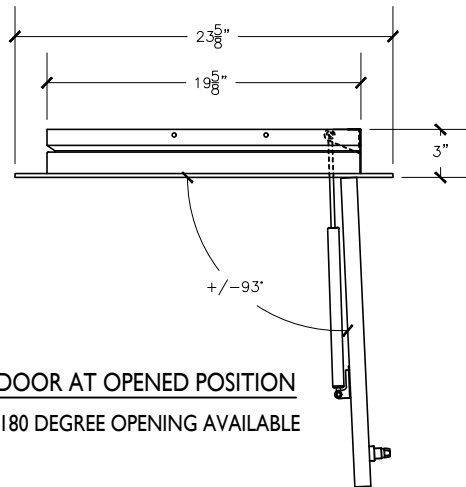
FRONT VIEW
 20"x20" SIDE HINGED
 A/D U.L. APPROVED



RIGHT VIEW **LEFT VIEW**



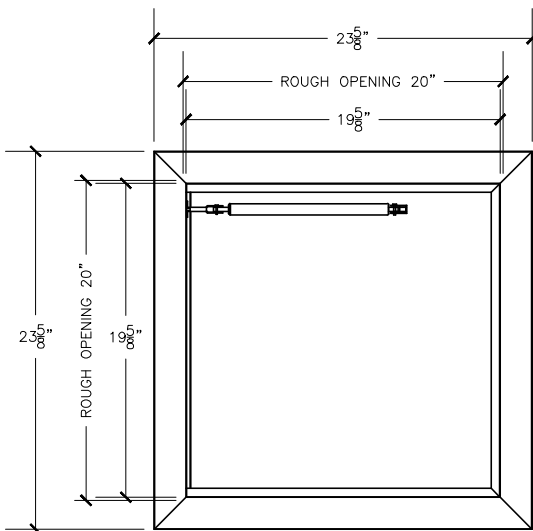
TOP VIEW



LINEN DOOR AT OPENED POSITION
 NOTE : 180 DEGREE OPENING AVAILABLE

Linen chute door specifications:

Doors are fabricated with type 304 Stainless Steel, Stainless Steel Hinges, with a self closing, self latching quiet door closing function. Class B labeled: 1-1/2 hour fire rated with 30-minute temperature rise of 250 degrees Fahrenheit and a frame suitable for enclosing multiple type chase construction. Doors are provided with key locking devices at each intake door location. Door trim is embossed "LINEN".



REAR VIEW

NOTE:
 Rough opening required 20"x20"

54-35 46th Street
 Maspeth, NY 11378
 phone: (718) 472-5700
 fax: (718) 472-5813
 website: www.allcitymetal.com
 e-mail: info@allcitymetal.com

ALL-CITY METAL^{INC.}
 SHEET METAL FABRICATORS

LINEN CHUTE INTAKE DOOR
 MODEL # 27L2-90D 20"x20" LD/RH 2" TRIM