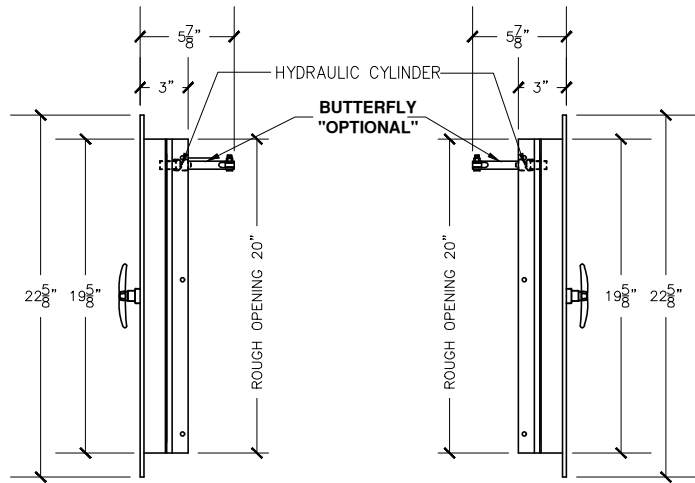


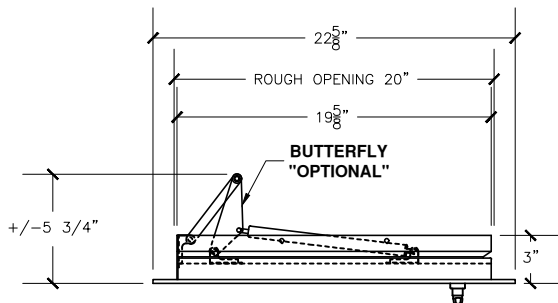
**FRONT VIEW**

20"x20" SIDE HINGED  
A/D U.L. APPROVED

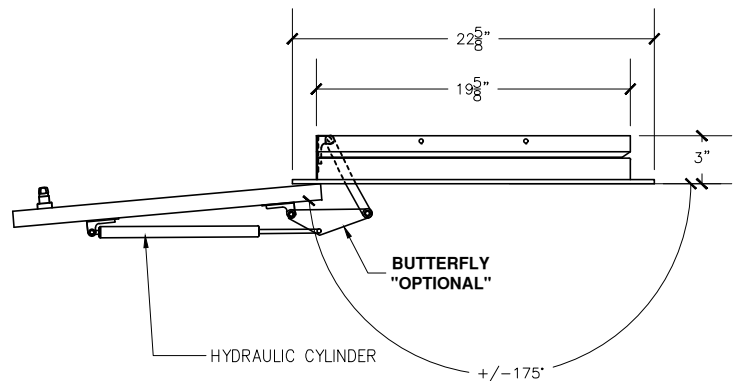


**RIGHT VIEW**

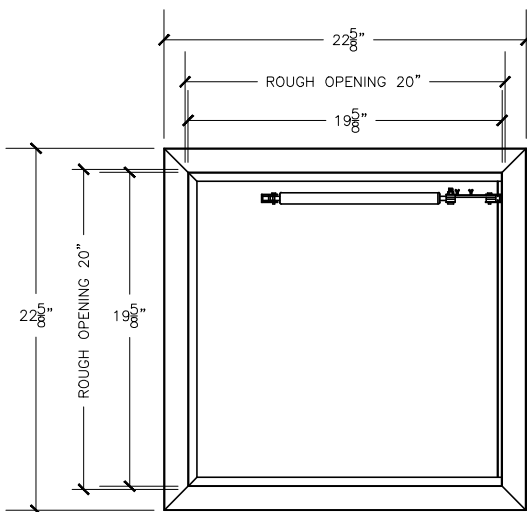
**LEFT VIEW**



**TOP VIEW**



**LINEN DOOR AT OPENED POSITION**



**REAR VIEW**

**NOTE:**

Rough opening required 20"x20"

**Linen chute door specifications:**

Doors are fabricated with type 304 Stainless Steel, Stainless Steel Hinges, with a self closing, self latching quiet door closing function. Class B labeled: 1-1/2 hour fire rated with 30-minute temperature rise of 250 degrees Fahrenheit and a frame suitable for enclosing multiple type chase construction. Doors are provided with key locking devices at each intake door location. Door trim is embossed "LINEN".

54-35 46<sup>th</sup> Street  
Maspeth, NY 11378  
phone: (718) 472-5700  
fax: (718) 472-5813  
website: www.allcitymetal.com  
e-mail: info@allcitymetal.com

**ALL-CITY METAL**<sup>INC.</sup>  
SHEET METAL FABRICATORS

**LINEN CHUTE INTAKE DOOR**  
MODEL # 27L-180D 20"x20" LD/LH 1-1/2" TRIM