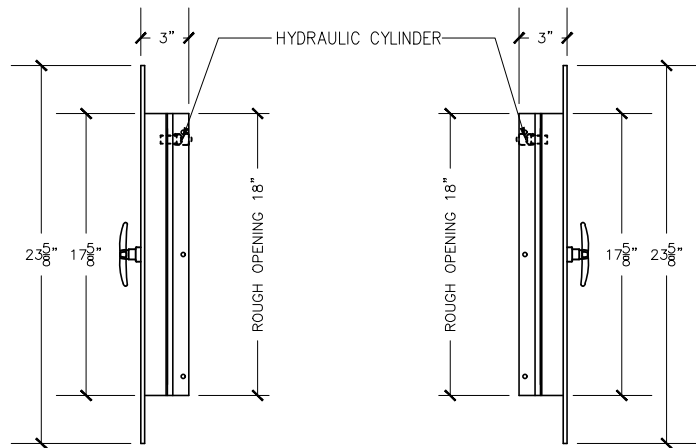
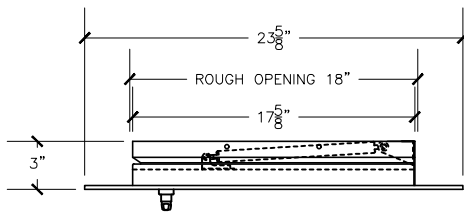


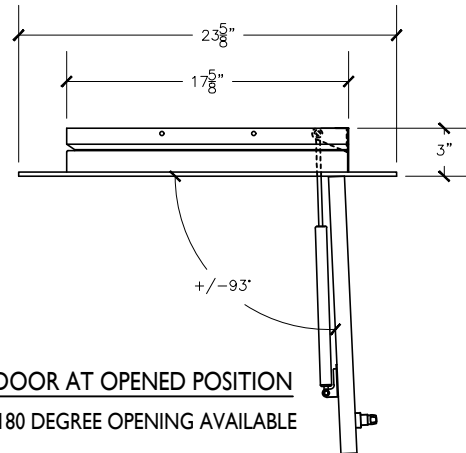
FRONT VIEW
 18"X18" SIDE HINGED
 A/D U.L. APPROVED



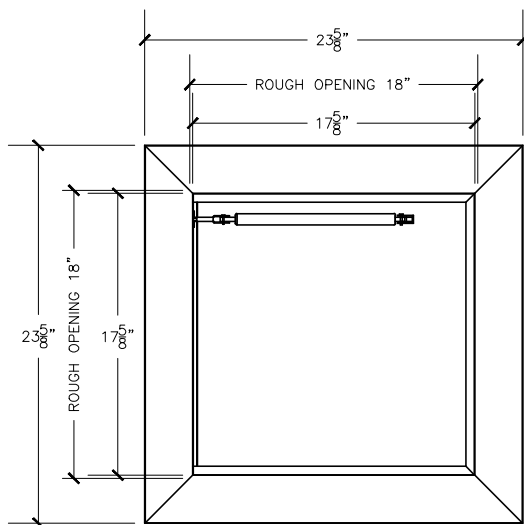
RIGHT VIEW **LEFT VIEW**



TOP VIEW



LINEN DOOR AT OPENED POSITION
 NOTE : 180 DEGREE OPENING AVAILABLE



REAR VIEW

NOTE:
 Rough opening required 18"x18"

Linen chute door specifications:

Doors are fabricated with type 304 Stainless Steel, Stainless Steel Hinges, with a self closing, self latching quiet door closing function. Class B labeled: 1-1/2 hour fire rated with 30-minute temperature rise of 250 degrees Fahrenheit and a frame suitable for enclosing multiple type chase construction. Doors are provided with key locking devices at each intake door location. Door trim is embossed "LINEN".

54-35 46th Street
 Maspeth, NY 11378
 phone: (718) 472-5700
 fax: (718) 472-5813
 website: www.allcitymetal.com
 e-mail: info@allcitymetal.com

ALL-CITY METAL
 SHEET METAL FABRICATORS

LINEN CHUTE INTAKE DOOR
 MODEL # 25L3-90D 18"X18" LD/RH 3" TRIM