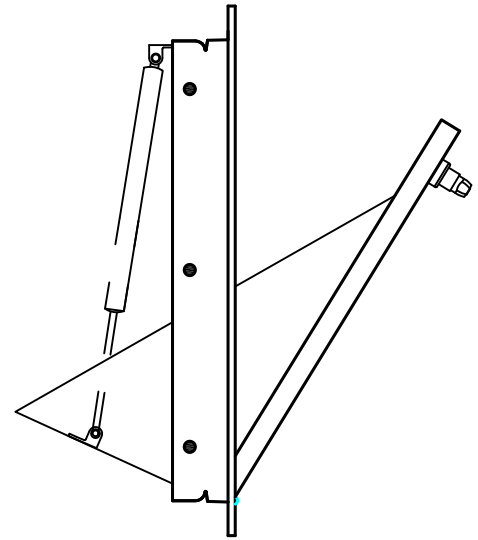


FRONT VIEW

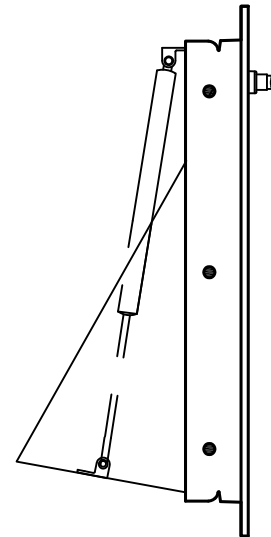
15"X18" BOTTOM HINGED
T/D U.L. APPROVED
W/ RUBBER BAFFLE
(NTS)



SIDE VIEW DOOR OPEN

RUBBER BAFFLE NOT SHOWN

ITEM#	MODEL#	DOOR SIZE	ROUGH OPENING
30	12x15TB/BH	11 ³ / ₄ "x14 ³ / ₄ "	12"x15"
30L	12x15TB/LH	11 ³ / ₄ "x14 ³ / ₄ "	12"x15"
30R	12x15TB/RH	11 ³ / ₄ "x14 ³ / ₄ "	12"x15"
35	15x18TB/BH	14 ³ / ₄ "x17 ³ / ₄ "	15"x18"
35L	15x18TB/LH	14 ³ / ₄ "x17 ³ / ₄ "	15"x18"
35R	15x18TB/RH	14 ³ / ₄ "x17 ³ / ₄ "	15"x18"
40	18x18TB/BH	17 ³ / ₄ "x17 ³ / ₄ "	18"x18"
40L	18x18TB/LH	17 ³ / ₄ "x17 ³ / ₄ "	18"x18"
40R	18x18TB/RH	17 ³ / ₄ "x17 ³ / ₄ "	18"x18"
45	24x24TB/BH	23 ³ / ₄ "x23 ³ / ₄ "	24"x24"
45L	24x24TB/LH	23 ³ / ₄ "x23 ³ / ₄ "	24"x24"
45R	24x24TB/RH	23 ³ / ₄ "x23 ³ / ₄ "	24"x24"

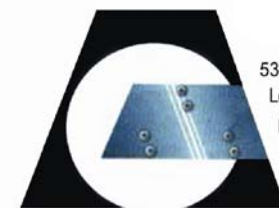


SIDE VIEW DOOR CLOSED

RUBBER BAFFLE NOT SHOWN

TRASH CHUTE DOOR SPECIFICATIONS:

DOORS ARE FABRICATED WITH TYPE 304 STAINLESS STEEL, STAINLESS STEEL HINGES, WITH A SELF CLOSING, SELF LATCHING QUITE DOOR CLOSING FUNCTION. CLASSIFIED 'UL' CLASS B LABELED: 1-1/2 HOUR FIRE RATED WITH 30-MINUTE TEMPERATURE RISE OF 250 DEGREES FAHRENHEIT AND A FRAME SUITABLE FOR ENCLOSING MULTIPLE TYPE CHASE CONSTRUCTION. DOORS ARE PROVIDED WITH KEY LOCKING DEVICES AT EACH INTAKE DOOR LOCATION. DOOR TRIM IS EMBOSSED "RUBBISH".



53-16 35th Street, Suite 3B
Long Island City, NY 11101
phone: 718-472-5700
fax: 718-472-5813
web: <http://www.allcitymetal.net>
e-mail: allcitymetal@aol.com

ALL-CITY METAL
SHEET METAL FABRICATORS

TRASH CHUTE DOOR