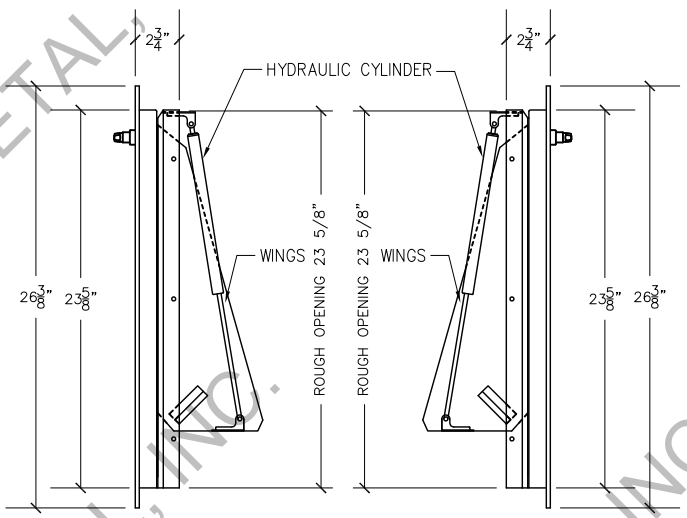


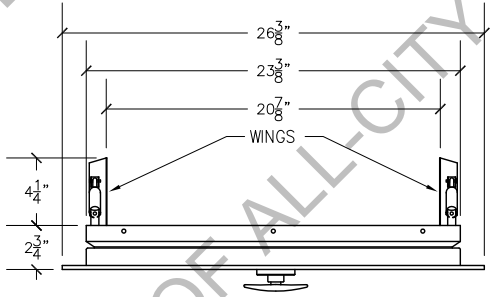
**FRONT VIEW**

24"X24" BOTTOM HINGED  
A/D U.L. APPROVED  
W/ RUBBER BAFFLE  
(NTS)



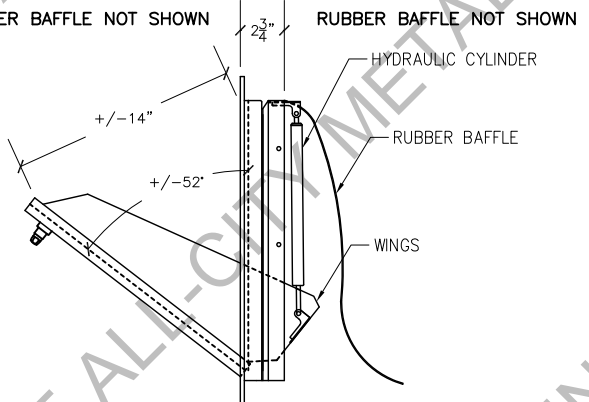
**RIGHT VIEW**

**LEFT VIEW**



**TOP VIEW**

RUBBER BAFFLE NOT SHOWN

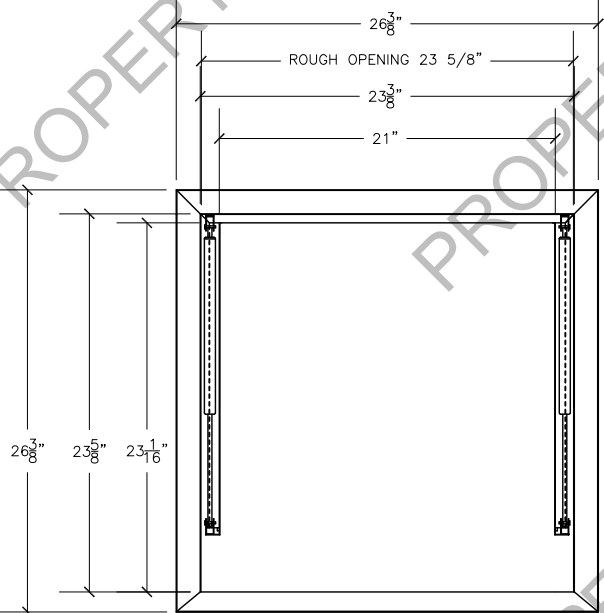


**TRASH DOOR AT OPENED POSITION**

WITH RUBBER BAFFLE

**Trash chute door specifications:**

Doors are fabricated with type 304 Stainless Steel, Stainless Steel hinges, with a self closing, self latching quite door closing function. Classified 'UL' Class B labeled: 1-1/2 hour fire rated with 30-minute temperature rise of 250 degrees Fahrenheit and a frame suitable for enclosing multiple type chase construction. Doors are provided with key locking devices at each intake door location. Door trim is embossed "**RUBBISH**".



**REAR VIEW**

RUBBER BAFFLE NOT SHOWN

**NOTE:** Rough opening required 23 5/8"x23 5/8"

53-16 35<sup>th</sup> Street, Suite 3B  
Long Island City, N.Y. 11101  
phone: 718-472-5700  
fax: 718-472-5813  
website: www.allcitymetal.com  
e-mail: info@allcitymetal.com

**ALL-CITY METAL**  
SHEET METAL FABRICATORS

**TRASH CHUTE INTAKE DOOR**  
MODEL # 45B 24"X24" TD/BH 1-1/2" TRIM