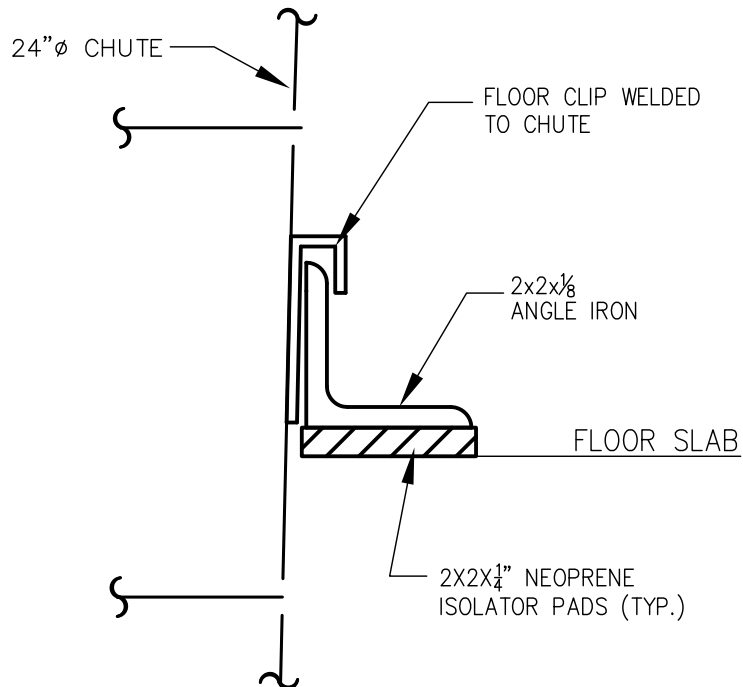
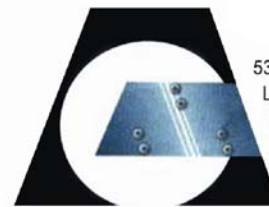


FLOOR FRAME  
N.T.S.



FLOOR FRAME  
SIDE ELEVATION  
N.T.S.

FLOOR FRAME SPECIFICATIONS:  
STANDARD FLOOR FRAMES ARE 2"x2"x1/8" STEEL ANGLE IRON AND ARE FABRICATED 12" LONGER THAT THE DIAMETER OF THE CHUTE. CUSTOM FRAMES CAN BE FABRICATED TO ACCOMMODATE ANY JOB CONDITION OR SPECIFIC SPECIFICATIONS.



53-16 35<sup>th</sup> Street, Suite 3B  
Long Island City, NY 11101  
phone: 718-472-5700  
fax: 718-472-5813  
web: <http://www.allcitymetal.net>  
e-mail: [allcitymetal@aol.com](mailto:allcitymetal@aol.com)

**ALL-CITY METAL**  
SHEET METAL FABRICATORS

**CHUTE FLOOR FRAME**