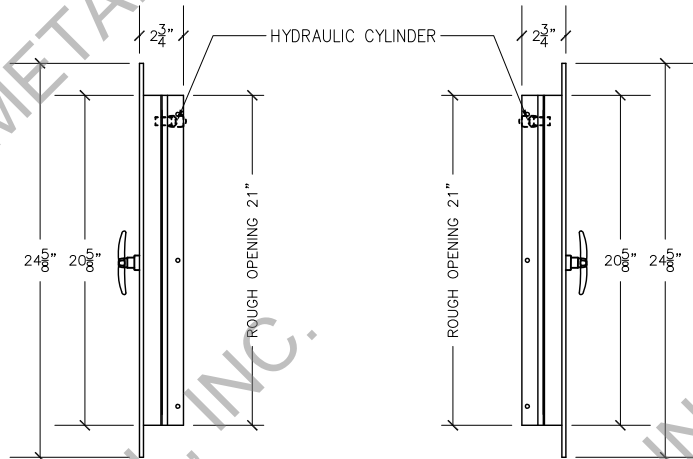
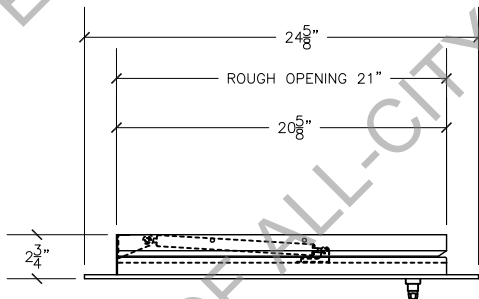


FRONT VIEW
 21"x21" SIDE HINGED
 A/D U.L. APPROVED

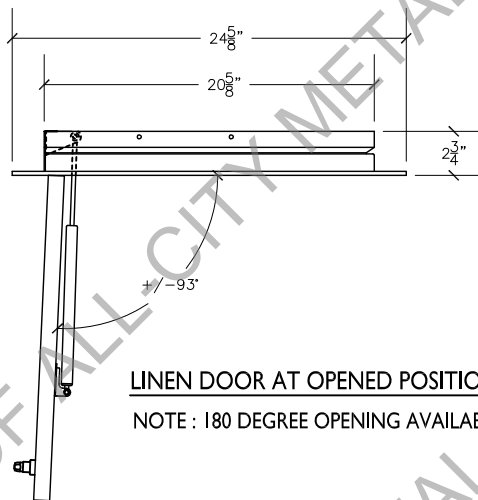


RIGHT VIEW

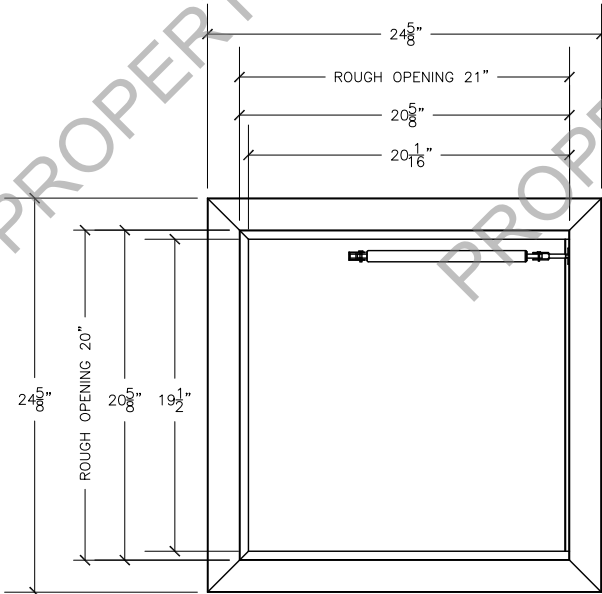
LEFT VIEW



TOP VIEW



LINEN DOOR AT OPENED POSITION
 NOTE : 180 DEGREE OPENING AVAILABLE



REAR VIEW

NOTE:

Rough opening required 21"x21"

Linen chute door specifications:

Doors are fabricated with type 304 Stainless Steel, Stainless Steel Hinges, with a self closing, self latching quite door closing function. Class B labeled: 1-1/2 hour fire rated with 30-minute temperature rise of 250 degrees Fahrenheit and a frame suitable for enclosing multiple type chase construction. Doors are provided with key locking devices at each intake door location. Door trim is embossed "LINEN".

53-16 35th Street, Suite 3B
 Long Island City, N.Y. 11101
 phone: 718-472-5700
 fax: 718-472-5813
 website: www.allcitymetal.com
 e-mail: info@allcitymetal.com

ALL-CITY METAL
 SHEET METAL FABRICATORS

LINEN CHUTE INTAKE DOOR
 MODEL # 28L2-90D 21"x21" LD/LH 2" TRIM