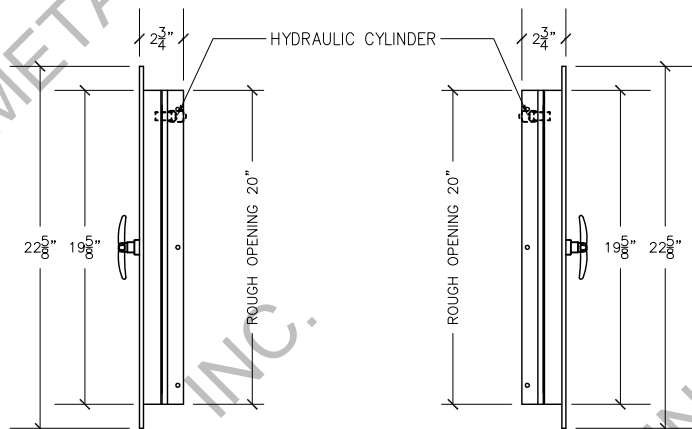
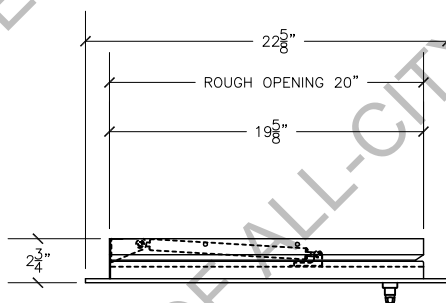


**FRONT VIEW**  
20"x20" SIDE HINGED  
A/D U.L. APPROVED

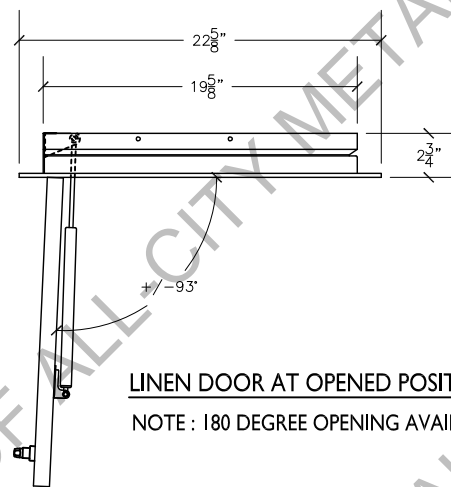


**RIGHT VIEW**

**LEFT VIEW**



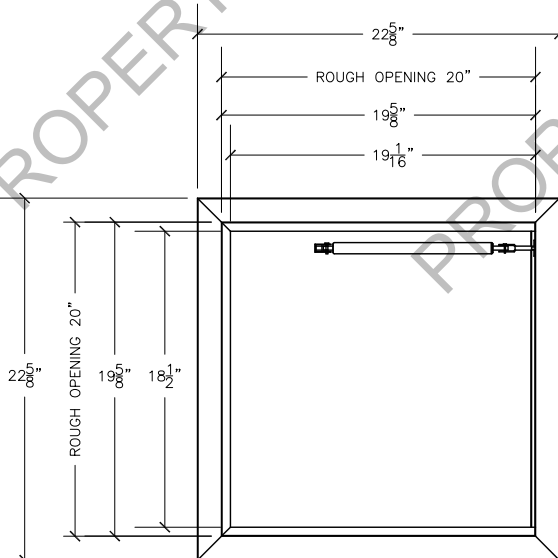
**TOP VIEW**



**LINEN DOOR AT OPENED POSITION**  
NOTE : 180 DEGREE OPENING AVAILABLE

**Linen chute door specifications:**

Doors are fabricated with type 304 Stainless Steel, Stainless Steel Hinges, with a self closing, self latching quite door closing function. Class B labeled: 1-1/2 hour fire rated with 30-minute temperature rise of 250 degrees Fahrenheit and a frame suitable for enclosing multiple type chase construction. Doors are provided with key locking devices at each intake door location. Door trim is embossed "LINEN".



**REAR VIEW**

**NOTE:**  
Rough opening required 20"x20"

53-16 35<sup>th</sup> Street, Suite 3B  
Long Island City, N.Y. 11101  
phone: 718-472-5700  
fax: 718-472-5813  
website: www.allcitymetal.com  
e-mail: info@allcitymetal.com

**ALL-CITY METAL**  
SHEET METAL FABRICATORS

**LINEN CHUTE INTAKE DOOR**  
MODEL # 27L-90D 20"x20" LD/LH I-1/2" TRIM