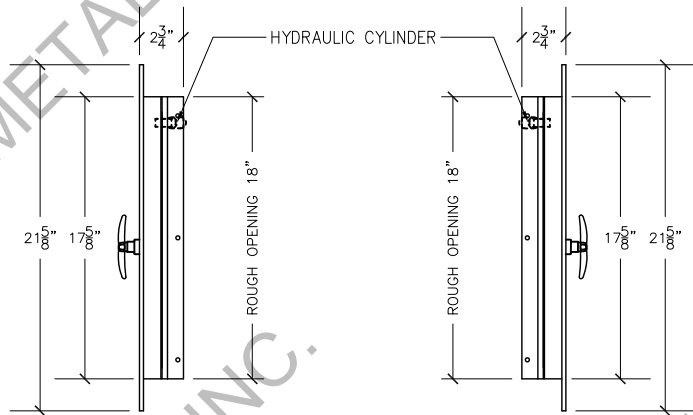


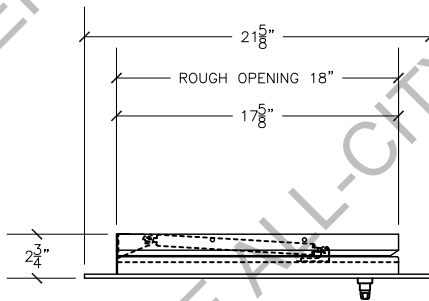
FRONT VIEW

18"X18" SIDE HINGED
A/D U.L. APPROVED

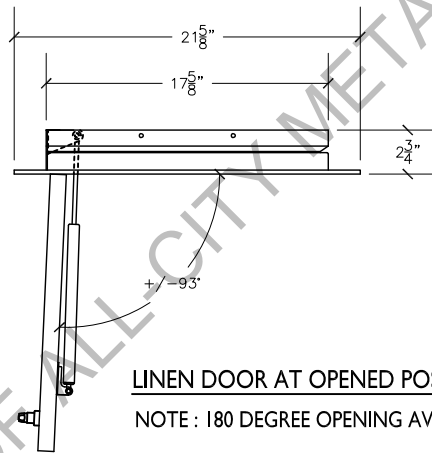


RIGHT VIEW

LEFT VIEW

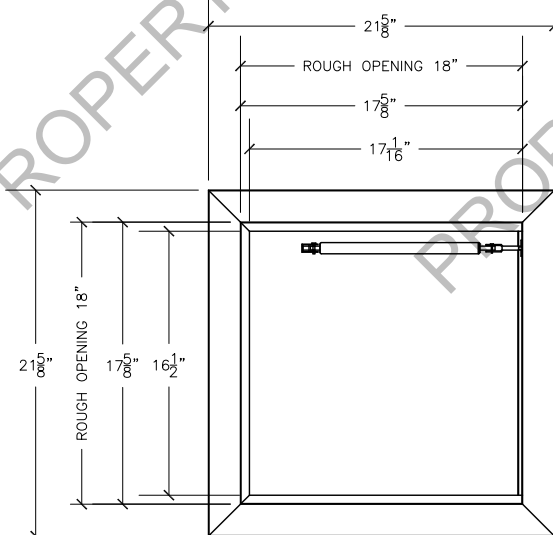


TOP VIEW



LINEN DOOR AT OPENED POSITION

NOTE : 180 DEGREE OPENING AVAILABLE



REAR VIEW

NOTE:

Rough opening required 18"x18"

Linen chute door specifications:

Doors are fabricated with type 304 Stainless Steel, Stainless Steel Hinges, with a self closing, self latching quiet door closing function. Class B labeled: 1-1/2 hour fire rated with 30-minute temperature rise of 250 degrees Fahrenheit and a frame suitable for enclosing multiple type chase construction. Doors are provided with key locking devices at each intake door location. Door trim is embossed "LINEN".

53-16 35th Street, Suite 3B
Long Island City, N.Y. 11101
phone: 718-472-5700
fax: 718-472-5813
website: www.allcitymetal.com
e-mail: info@allcitymetal.com

ALL-CITY METAL
SHEET METAL FABRICATORS

LINEN CHUTE INTAKE DOOR
MODEL # 25L2-90D 18"X18" LD/LH 2" TRIM